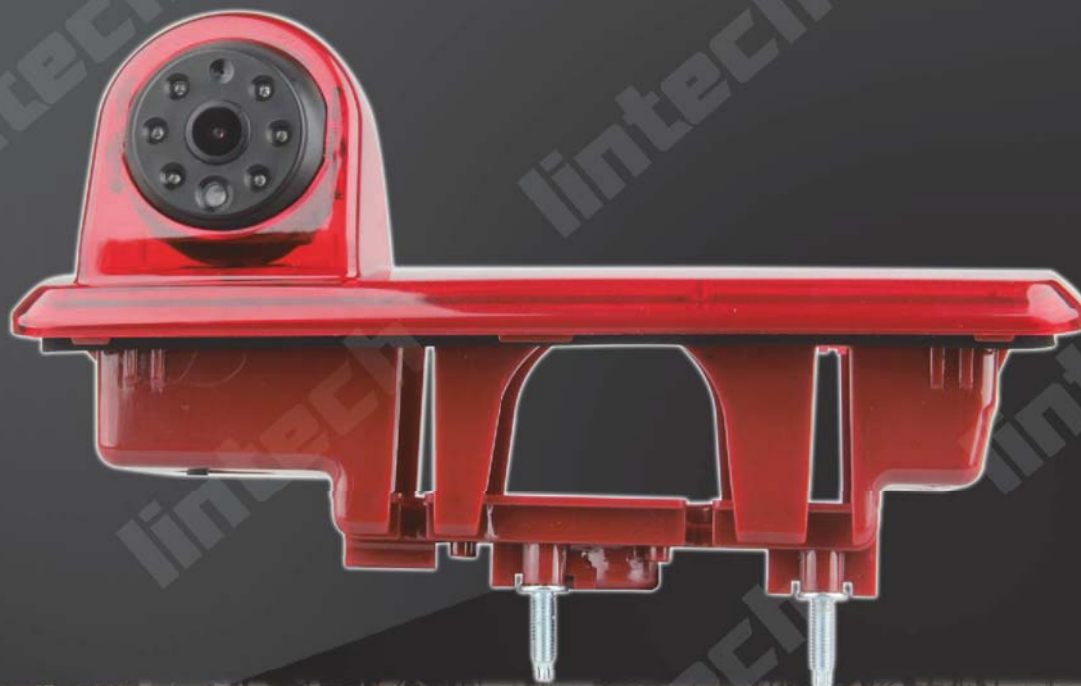


Night Vision Brake Light Camera For OPEL VIVARO/Renault Traffic(2014+)

Part No:LC-009C7

170° (H=105°) For reversing safety

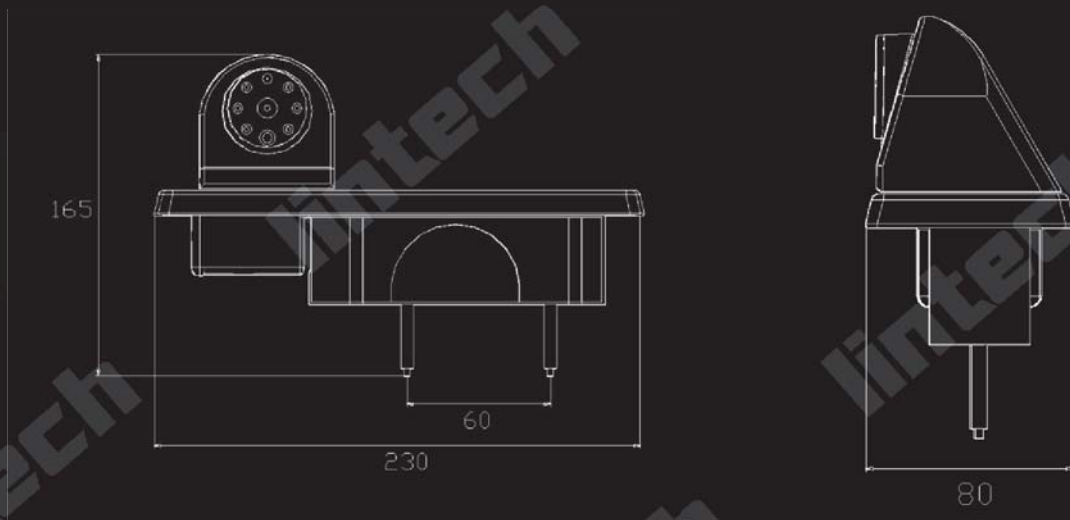


Features:

●	Night vision brake light camer For OPEL VIVARO/Renault Traffic(2014+)
●	E-mark (E9) , CE, FCC certification
●	Waterproof rating: IP68
●	Wide view angle = 170°(Horizontal = 105°)
●	Sharp CCD/Sony CCD/ Cmos optional
●	New design and 100% size copy for original third brake light



Dimensional Drawing:



Specification:

Night Vision Brake Light Camera For OPEL VIVARO/Renault Traffic(2014+)

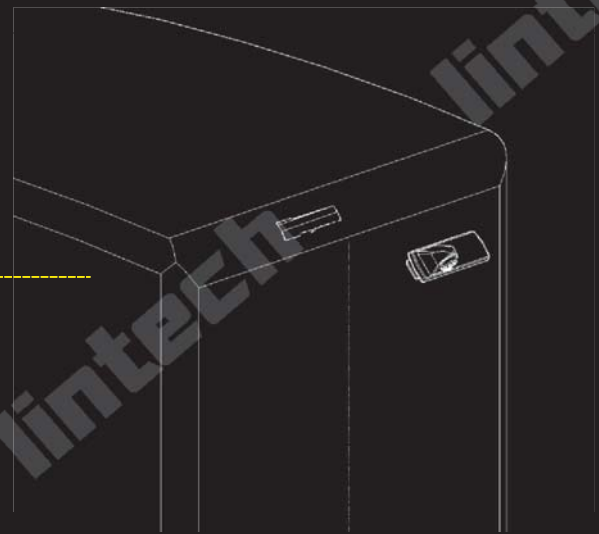
TV System	NTSC / PAL
Resolution	N:752x494pixels P:752x582 pixels
Image sensor	1/3" SONY CCD
Waterproof rating	IP68
Horizontal Resolution	580TV Lines
Min illumination	0LUX(LED ON)
Power supply	12V DC
Power consumption	1.8W(@12V DC)
Current consumption	150mA
View angle	170°(D) 105°(H) 85°(V)
Operation temperature	-20°C~+70°C
Weight	250g
Dimension(W*H*D)	230*165*80mm(Camera)

TV System	NTSC / PAL
Resolution	N:752x494pixels P:752x582 pixels
Image sensor	1/4" COMS 1089
Waterproof rating	IP68
Horizontal Resolution	420TV Lines
Min illumination	0LUX(LED ON)
Power supply	12V DC
Power consumption	1.8W(@12V DC)
Current consumption	150mA
View angle	170°(D) 105°(H) 85°(V)
Operation temperature	-20°C~+70°C
Weight	250g
Dimension(W*H*D)	230*165*80mm(Camera)

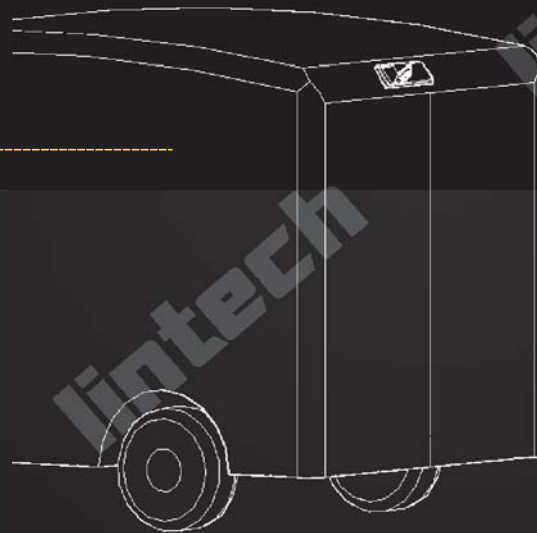


Basic Operation:

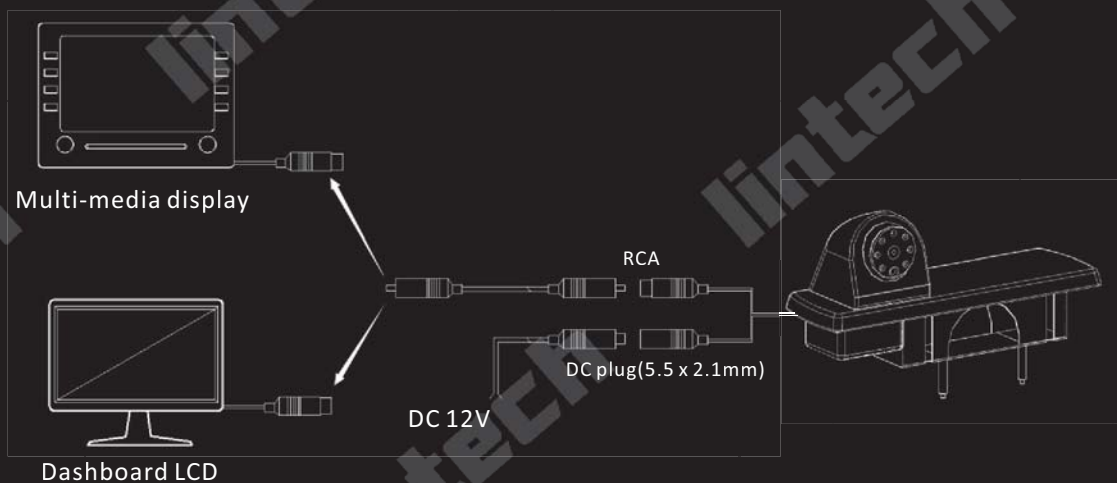
Step 1: Remove the original 3rd brake light.



Step 2: Mounting the Brake Lights Camera as below diagram.



Wiring Diagram:



Connector Defintion:



M12 4 pins Aviation Female Connector

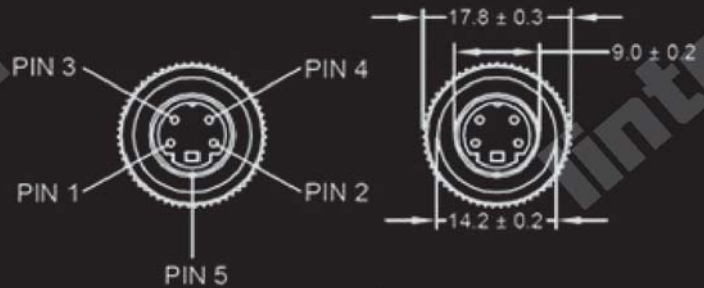
4PIN FEMALE MATING INTERFACE



PIN#	WIRE COLOR	DESCRIPTION
1	RED	+12V
2	BLACK/SHIELD	GND
3	WHITE	AUDIO
4	YELLOW	VIDEO



S-Video 4-pin Aviation Male Connector



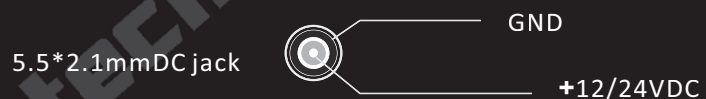
PIN#	WIRE COLOR	DESCRIPTION
1	YELLOW	VIDEO
2	RED	+12V
3	BLUE	N.C
4	WHITE	AUDIO
5	BLACK/SHIELD	GND



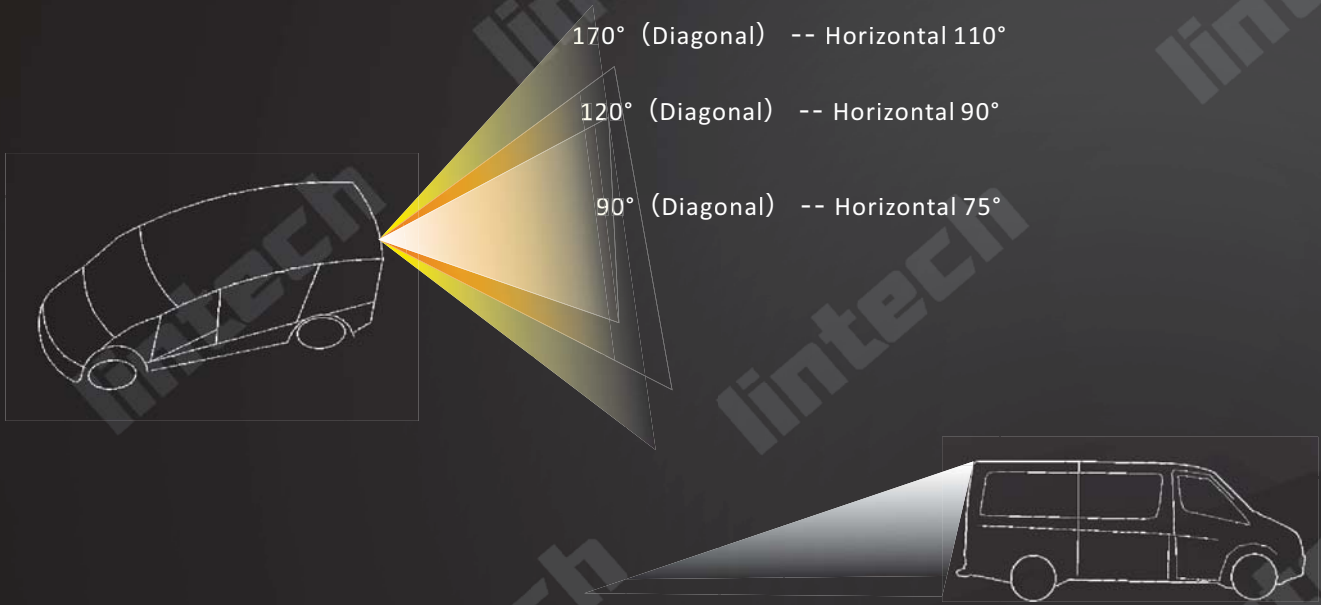
RCA +DC



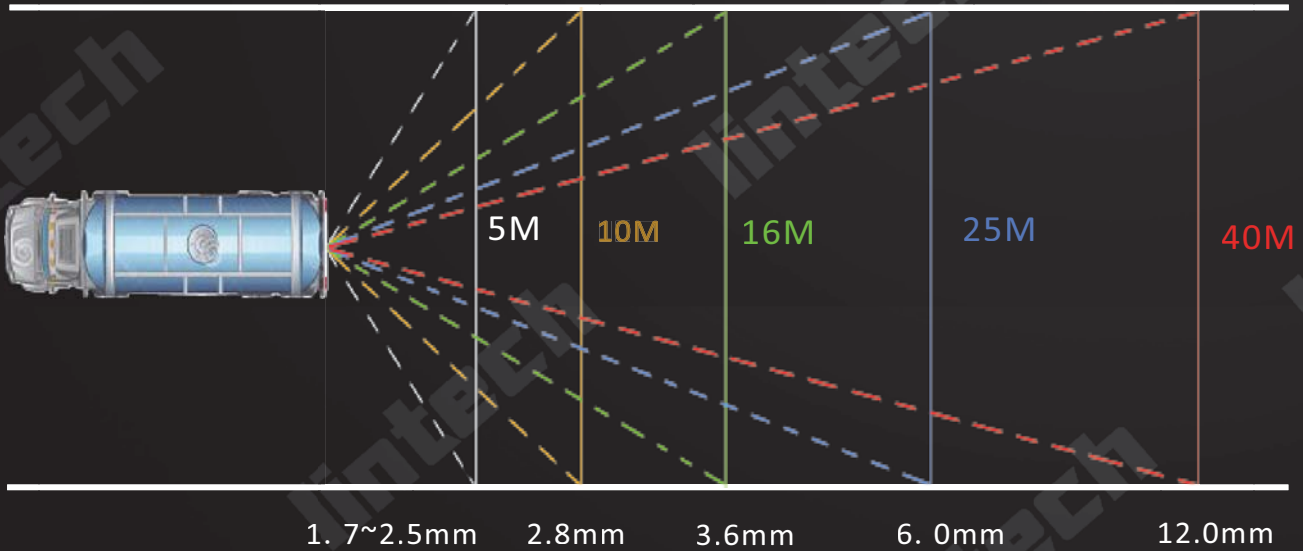
BNC + DC



View Angle & Lens:



View angle	105°	80°	75°	50°	25°
View distance	5M	10M	16M	25M	40M



Order code:

Sensor type	Order code
1/3" CMOS PC3089 N:510 x 492pixels P:500 x 582 pixels	1
1/4" Sharp CCD 420TVL N:510 x 492pixels P:500 x 582 pixels	2
1/4" SONY CCD 420TVL N:510 x 492pixels P:500 x 582 pixels	3
1/3" SONY CCD 480TVL N:752 x 494pixels P:752 x 582 pixels	4
1/3" SONY CCD 560TVL N:752 x 494pixels P:752 x 582 pixels	5
1/3" SONY CCD 650TVL N:976 x 494pixels P:976 x 596 pixels	6
1/3" SONY CCD 700TVL N:752 x 494pixels P:1020 x 508 pixels	7
Optional Funtion	
Audio(Micphone built-in)	0(NO) / 1(Yes)
Heater built-in	0(NO)
Reference Line Switch	0(NO) / 1(Yes)
Connector:4PIN/RCA/S-video/BNC	1 / 2 / 3 / 4
Voltage	12
Color	0(original)
TV system	P(PAL) / N(NTSC)

Original Code Defintion:

LC-009C7 (#:20012120P)

1/4" Sharp CCD 420TVL
 NO Mirophone
 NO Heater
 With Switch



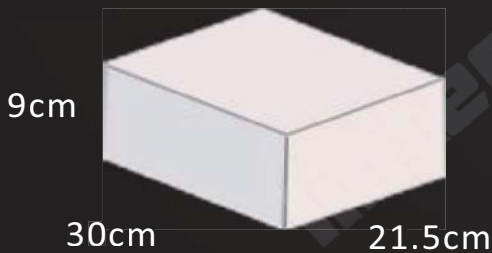
TV system PAL
 Color original
 Voltage 12V DC
 RCA connector

Packing:

- 1.Brake lights Camera x 1pc
- 2.Extension cable 10 Meter x 1pc
- 3.4-Pin to RCA Converter cable x 1pc
- 4.RCA Male-Male connector x 1pcs
- 5.DC Power cable 0.3 Meter (5.5 x 2.1mm plug) x 1pc



Packing box & carton dimension:



1.8kg/pc



10pcs per carton/Weight:18kg

ADD:3/F, Blcok A8, Kaida Industry Park, Qiaochang Road,Qiaotou , Dongguan , Guangdong,China.



Intech



TEL: +86-769-8118 3549
Website:www.lintechco.com

FAX: +86-769-8255 1233
Email:info@lintechco.com