

Brake Lights Camera For IVECO Daily (2011~2014)

Part No:LC-009C6

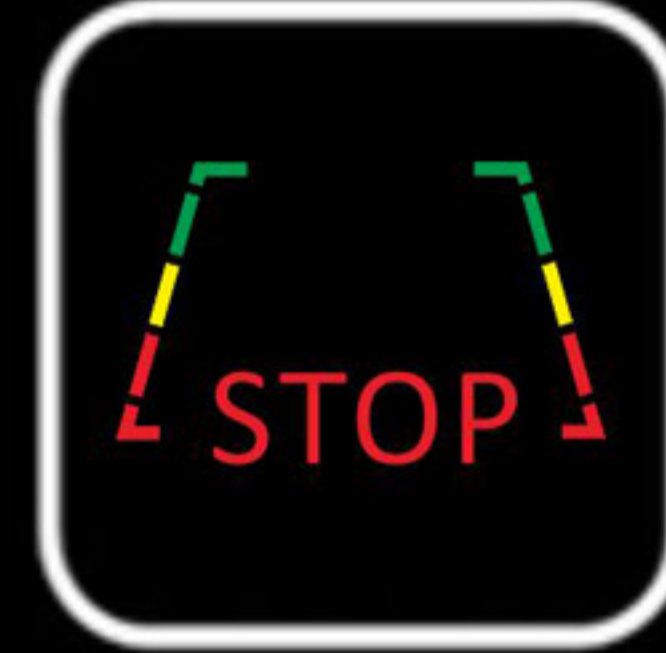
170° (H=105°) For reversing safety



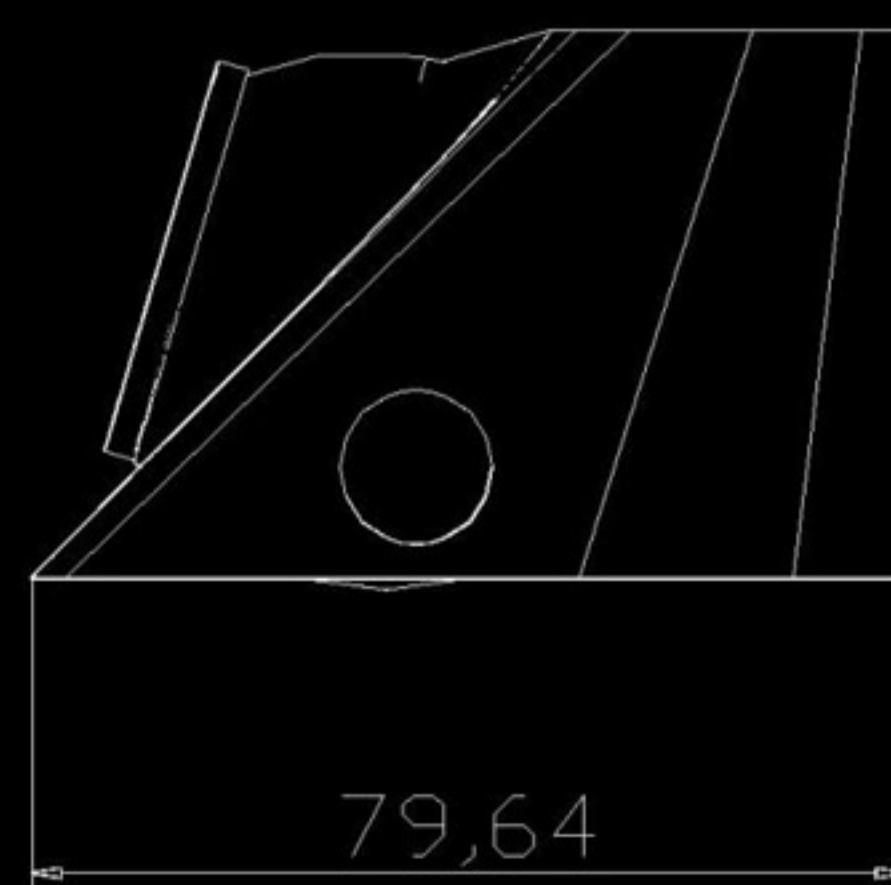
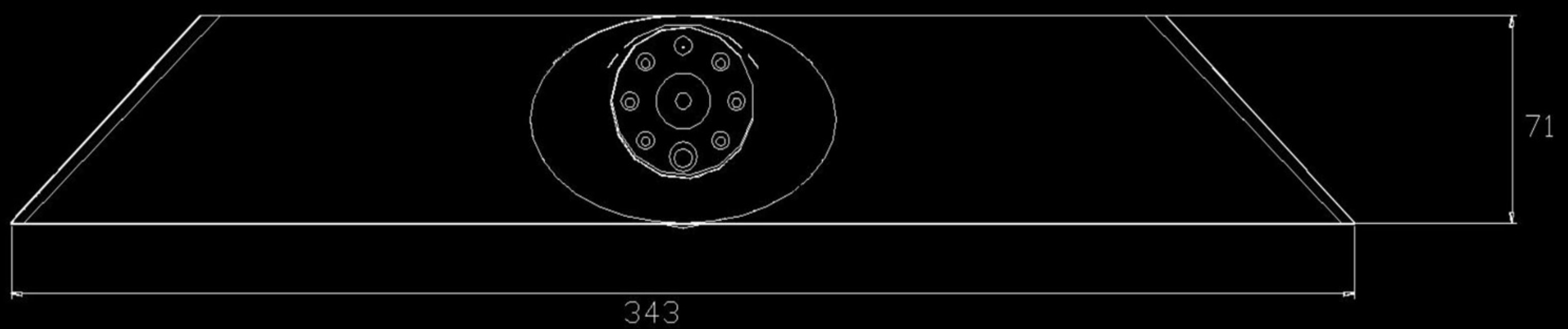


Features:

- Brake lights camera for IVECO Daily (2011~2014)
- E-mark (E9) , CE, FCC certification
- Waterproof rating: IP68
- Wide view angle = 170°(Horizontal = 105°)
- Sharp CCD/Sony CCD/ Cmos optional
- New design and 100% size copy for original third brake light



Dimensional Drawing:



Specification:

Brake lights camera for IVECO Daily (2011~2014)

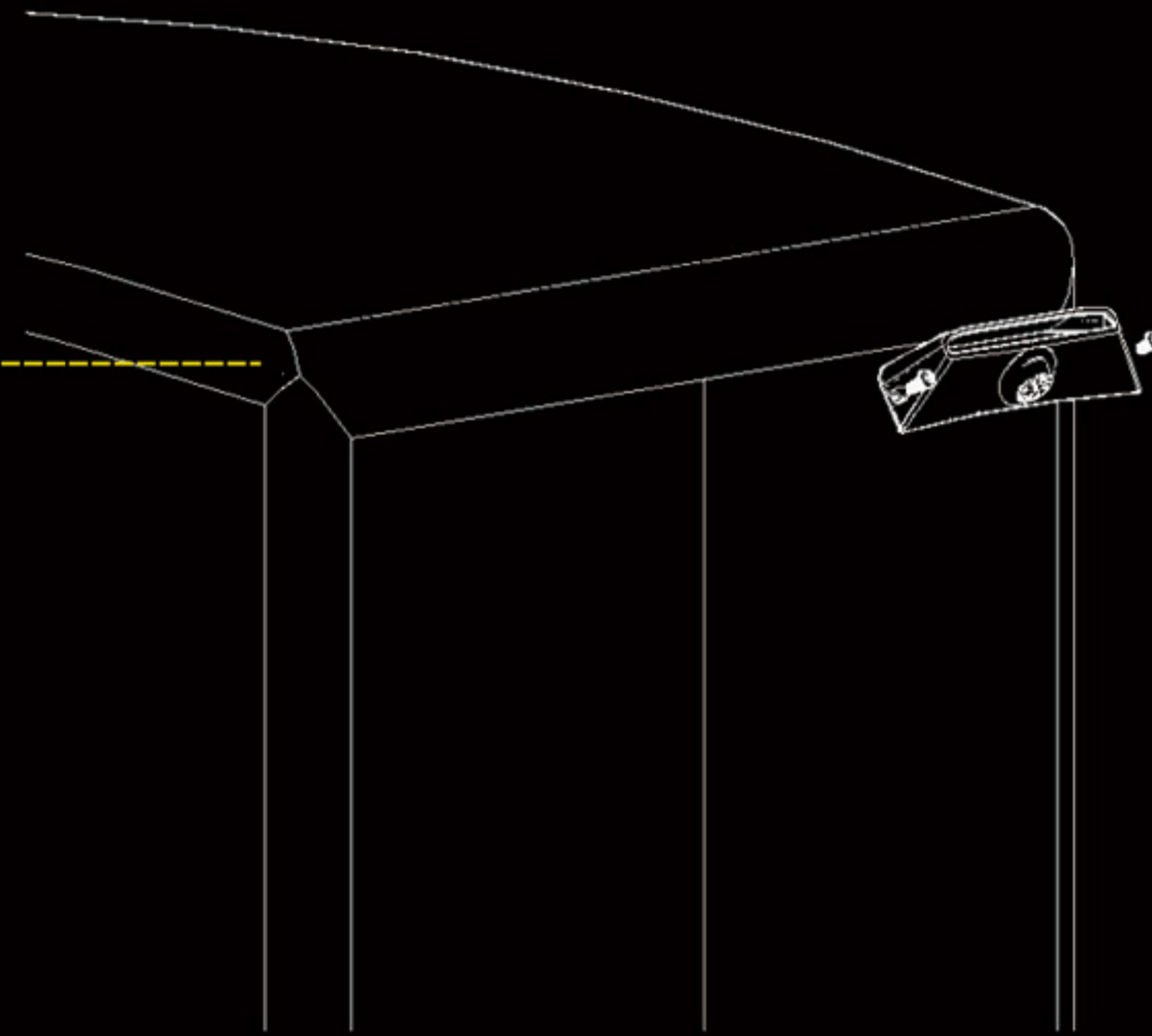
Subject	Standard Parameter	Optional Parameter
Image sensor	1/3" SONY CCD	1/3" CMOS PC3089
Resolution	N:752×494pixels P:752×582 pixels	N:728×488pixels P:720×480 pixels
Horizontal Resolution	580TV Lines	420TV Lines
Lens	1.7mm	
View angle	170°(D) 105°(H) 85°(V)	
Min illumination	0LUX(LED ON)	
IR LED	6pcs (Night vision 5-7m)	
TV System	NTSC / PAL	
Power supply	12V DC	
Current consumption	150mA	130mA
Power consumption	1.8W(@12V DC)	1.5W(@12V DC)
Waterproof rating	IP68	
Weight	200g	
Dimension(W*H*D)	343*71*80mm(Camera)	
Operation temperature	-20°C~+70°C	



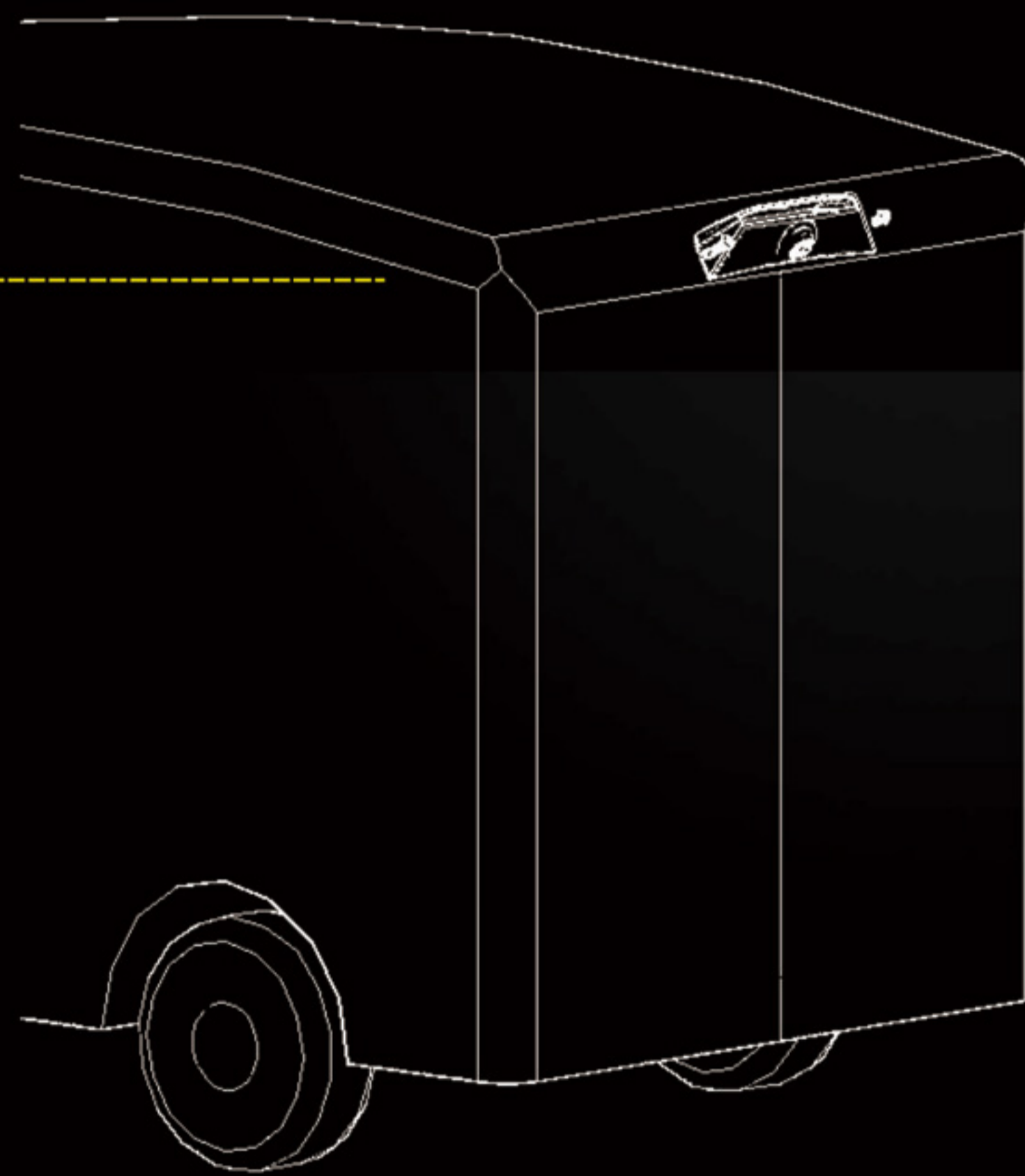


Basic Operation:

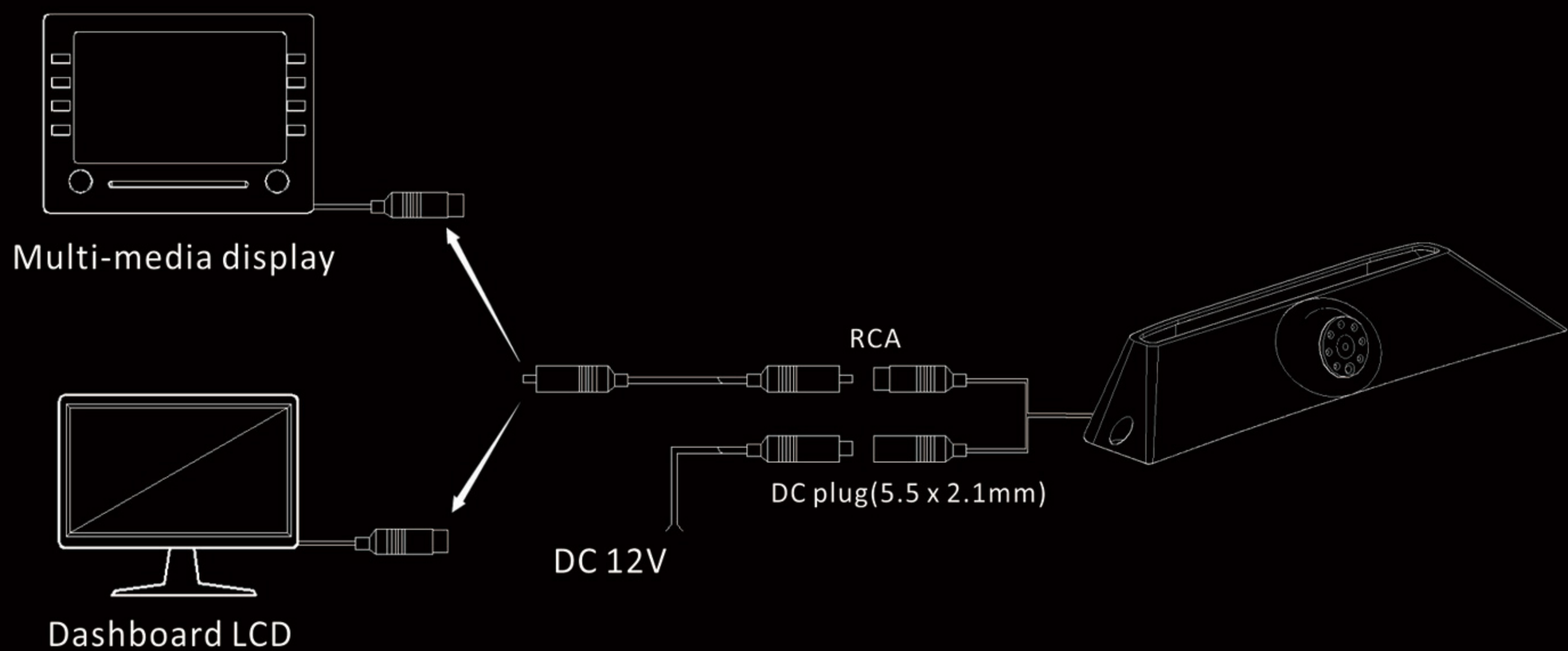
Step 1: Remove the original 3rd brake light.



Step 2: Mounting the Brake Lights Camera as below diagram.



Wiring Diagram:

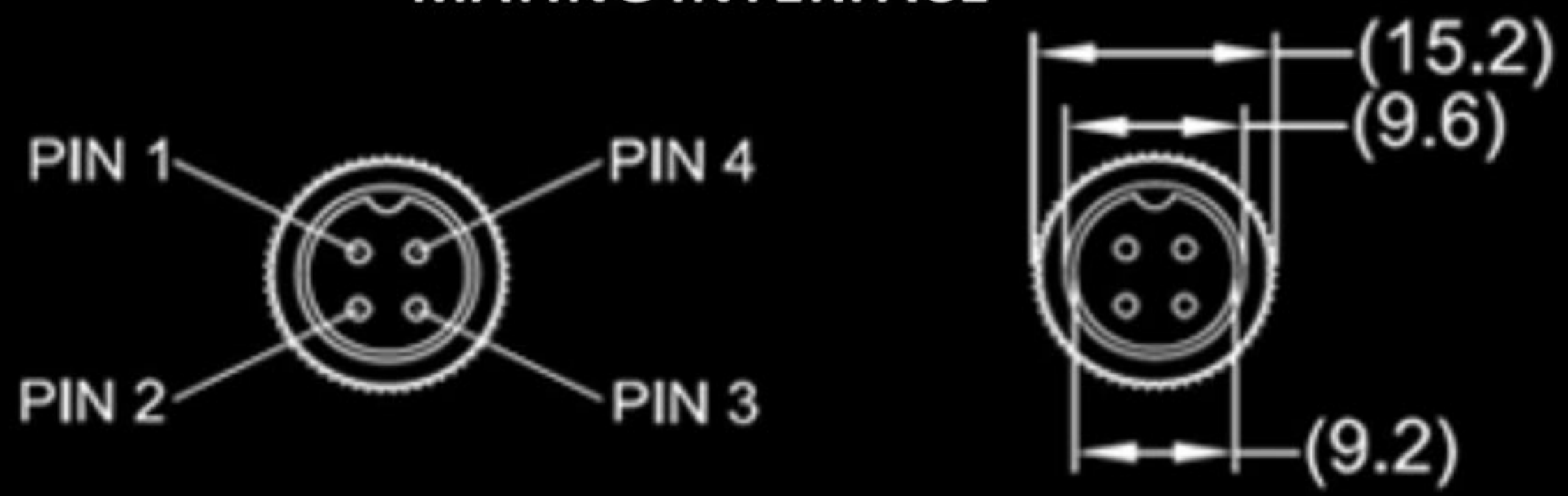


Connector Definition:



M12 4 pins Aviation Female Connector

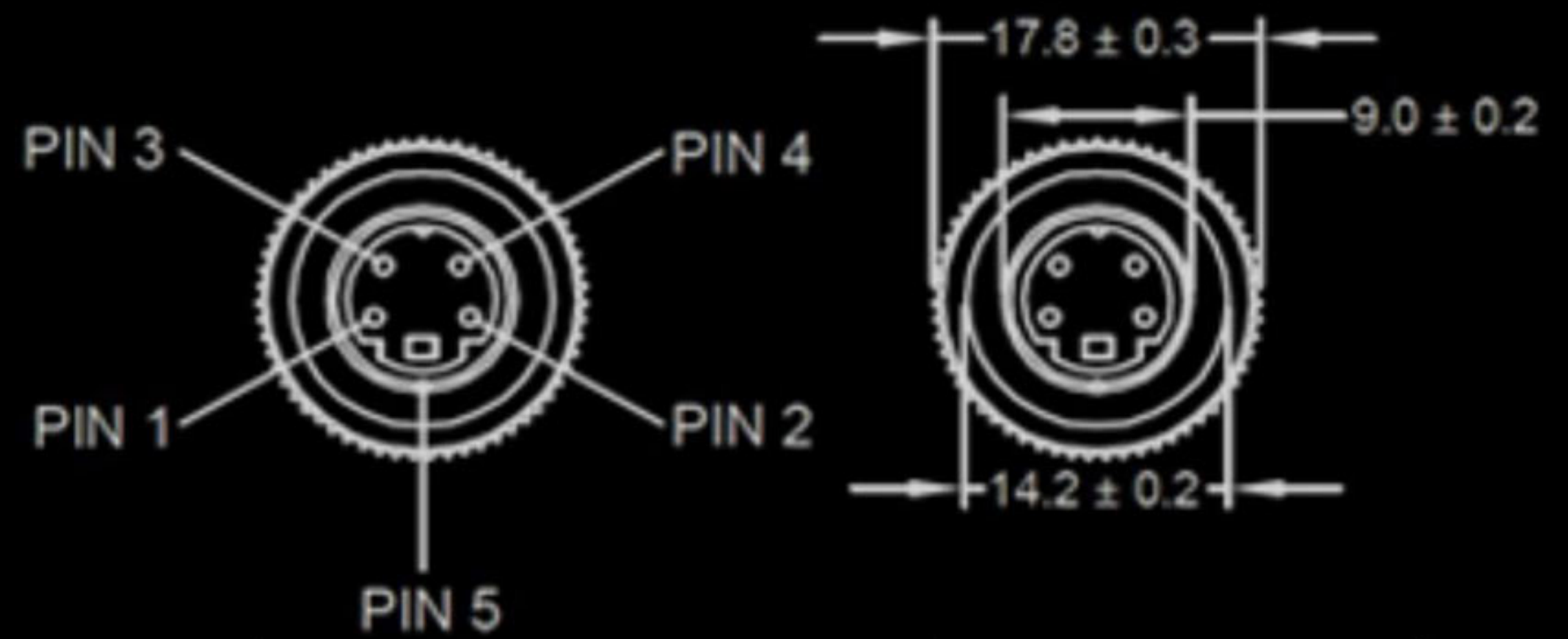
4PIN FEMALE MATING INTERFACE



PIN#	WIRE COLOR	DESCRIPTION
1	RED	+12V
2	BLACK/SHIELD	GND
3	WHITE	AUDIO
4	YELLOW	VIDEO



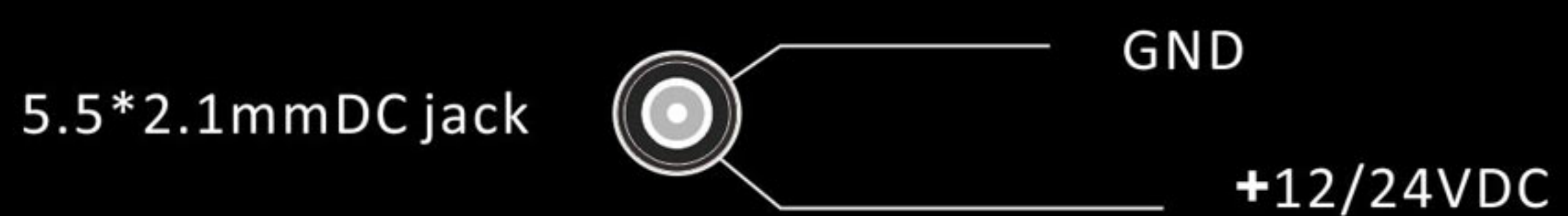
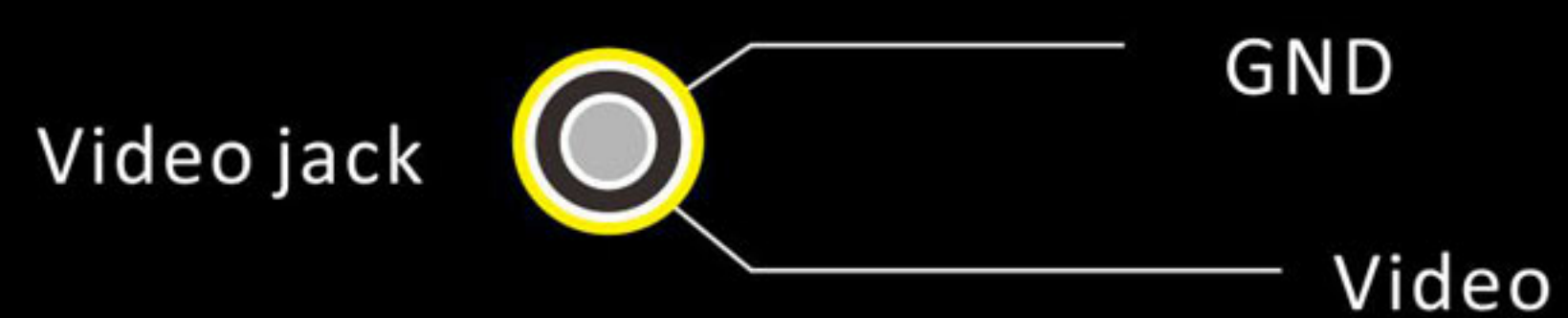
S-Video 4-pin Aviation Male Connector



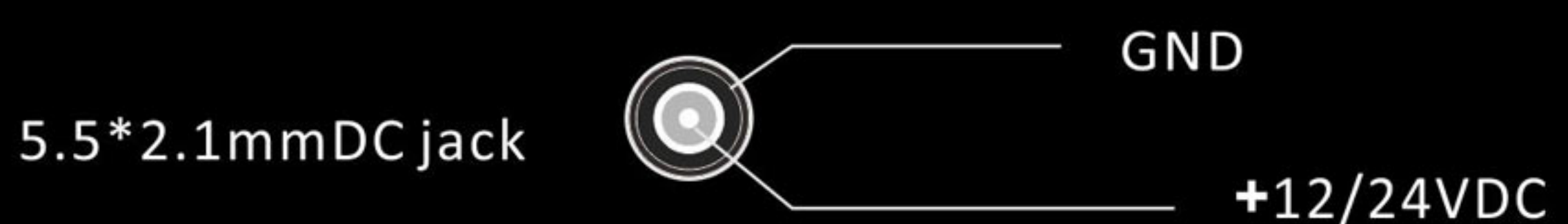
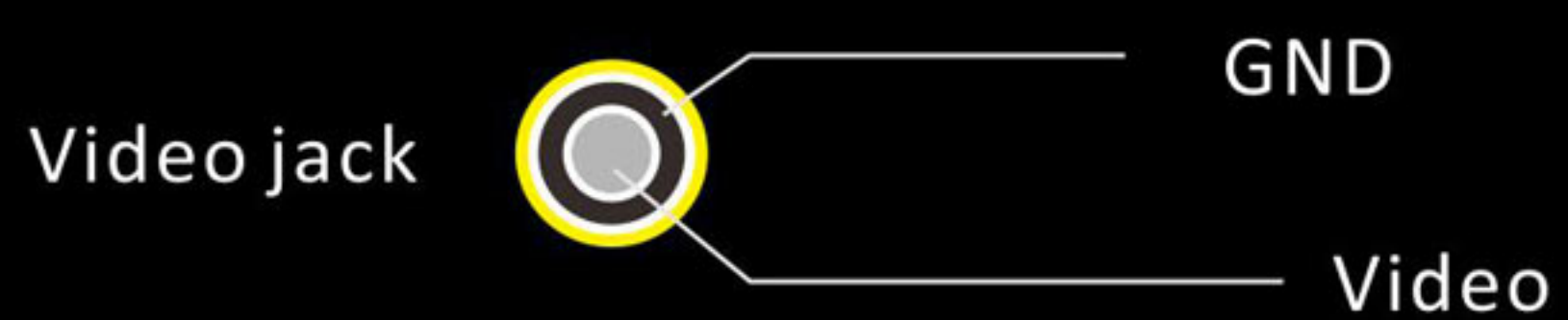
PIN#	WIRE COLOR	DESCRIPTION
1	YELLOW	VIDEO
2	RED	+12V
3	BLUE	N.C
4	WHITE	AUDIO
5	BLACK/SHIELD	GND



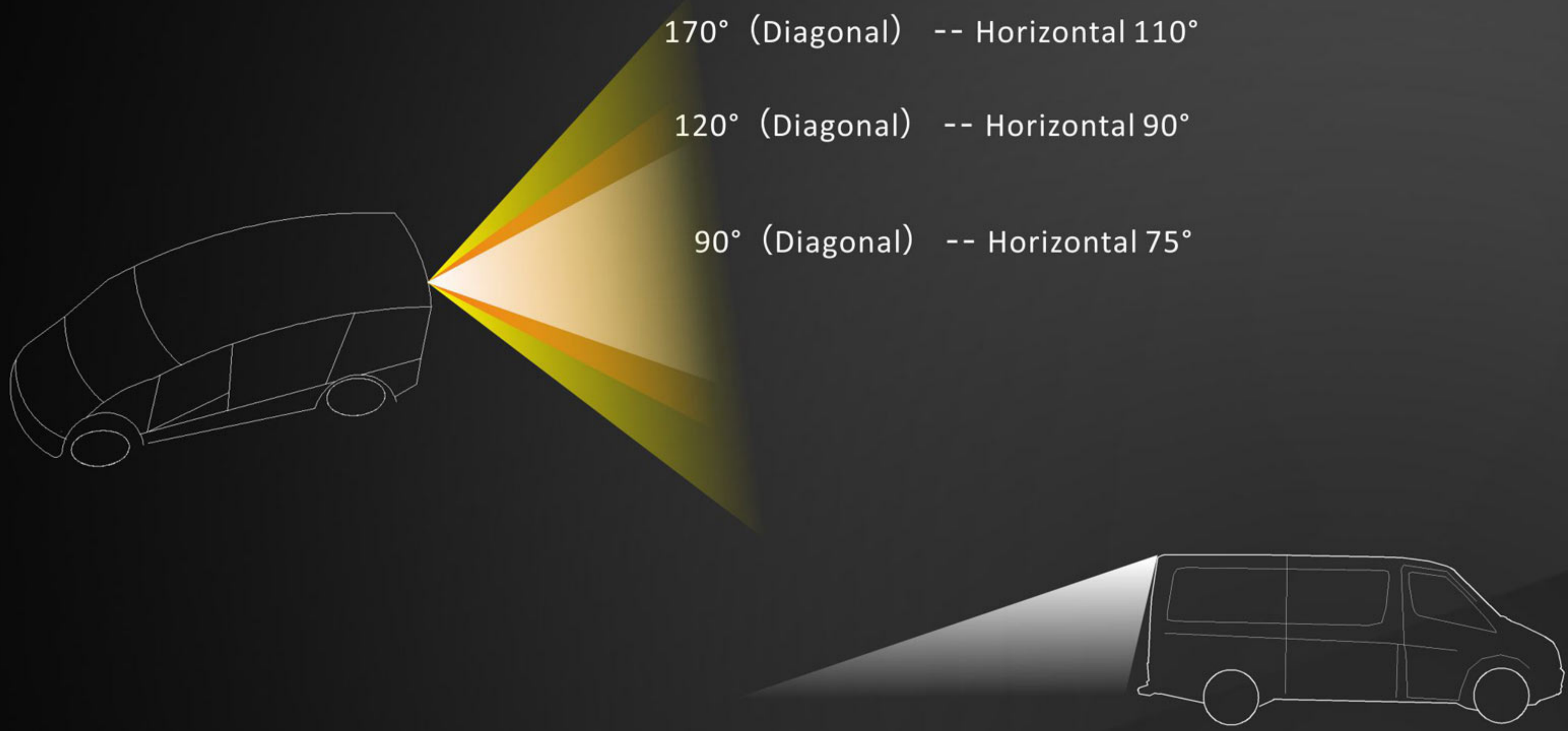
RCA + DC



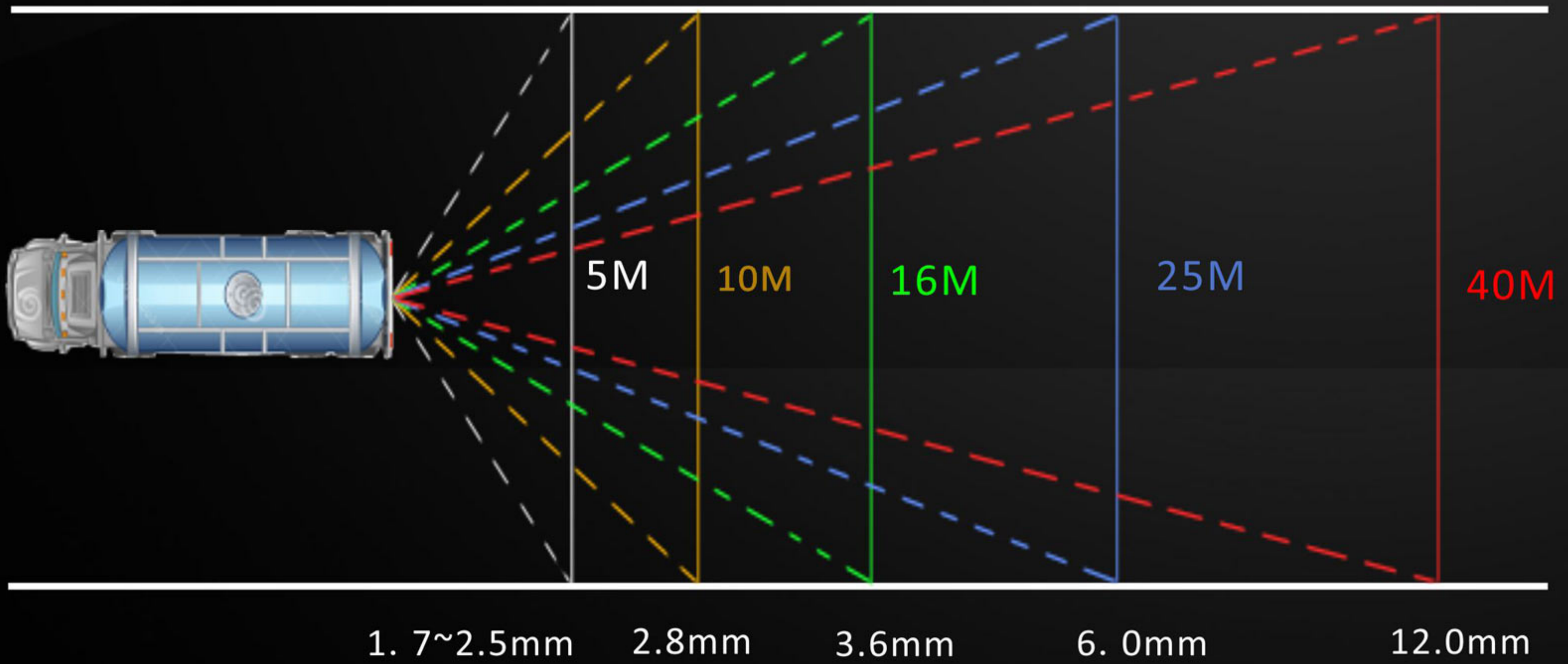
BNC + DC



View Angle & Lens:



View angle	105°	80°	75°	50°	25°
View distance	5M	10M	16M	25M	40M





Order code:

Sensor type	Order code
1/3" CMOS PC3089 N:728 x 488pixels P:720 x 480 pixels	1
1/4" Sharp CCD 420TVL N:510 x 492pixels P:500 x 582 pixels	2
1/4" SONY CCD 420TVL N:510 x 492pixels P:500 x 582 pixels	3
1/3" SONY CCD 480TVL N:752 x 494pixels P:752 x 582 pixels	4
1/3" SONY CCD 580TVL N:752 x 494pixels P:752 x 582 pixels	5
1/3" SONY CCD 650TVL N:976 x 494pixels P:976 x 596 pixels	6
1/3" SONY CCD 700TVL N:976 x 494pixels P:1020 x 508 pixels	7
Optional Function	
Audio(Microphone built-in)	0(NO) / 1(Yes)
Heater built-in	0(NO)
Reference Line Switch(only for CMOS sensor)	0(NO) / 1(Yes)
Connector:4PIN/RCA/S-video/BNC	1 / 2 / 3 / 4
Voltage	12
Color	0(original)
TV system	P(PAL) / N(NTSC)

Original Code Defintion:

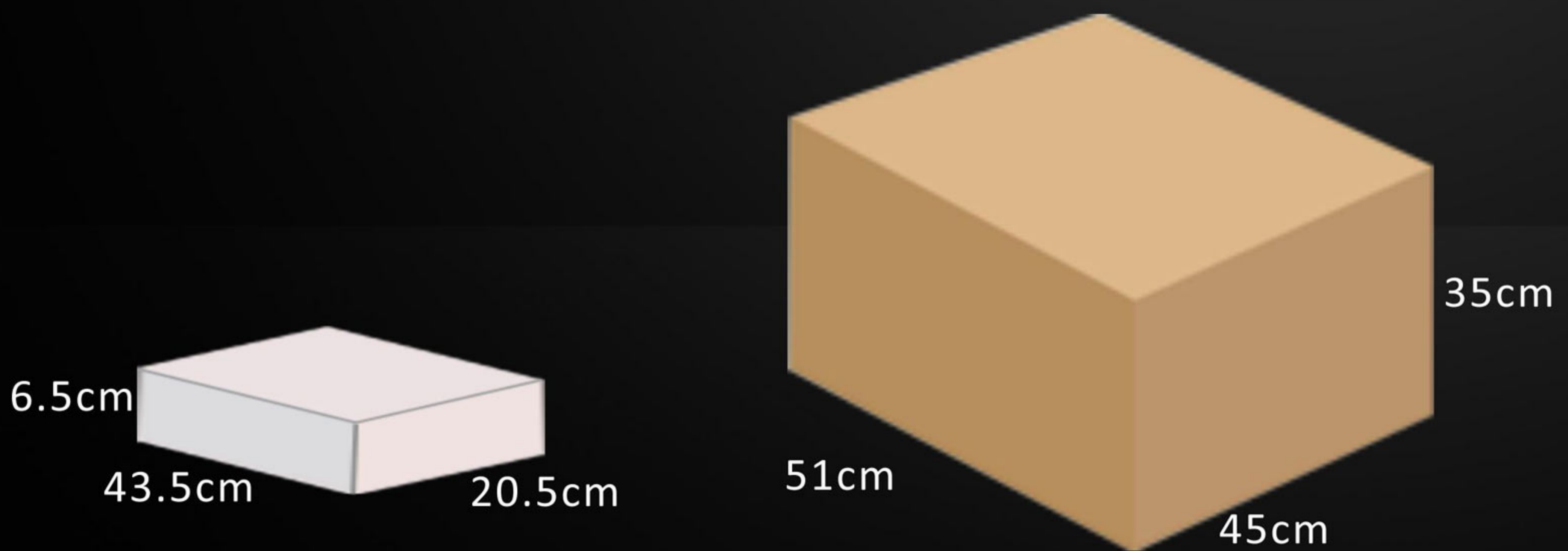


Packing:

- 1.-Rear view camera x 1pc
- 2.-Extension cable 10meter x 1pc
- 3.-4-Pin to RCA convert cable x 1 pc
- 4.-DC Power wire (5.5 x 2.1mm) x 1pc



Packing box & carton dimension:



1.3kg/pc

10pcs per carton / Volume weight: 18kg

ADD:3/F, Blcok A8, Kaida Industry Park, Qiaochang Road, Qiaotou , Dongguan , Guangdong, China.



lntech



TEL: +86-769-8118 3549
Website: www.lintechco.com

FAX: +86-769-8255 1233
Email: info@lintechco.com