

Inside Bus/Truck Dome CCTV Camera For Video Recording/Monitoring Application

Part No:LC-024A

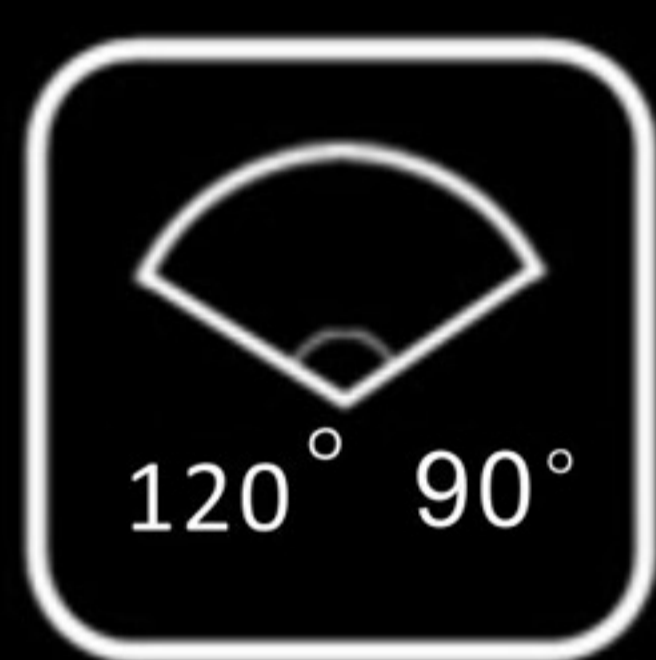
120° (H=90°) For reversing safety



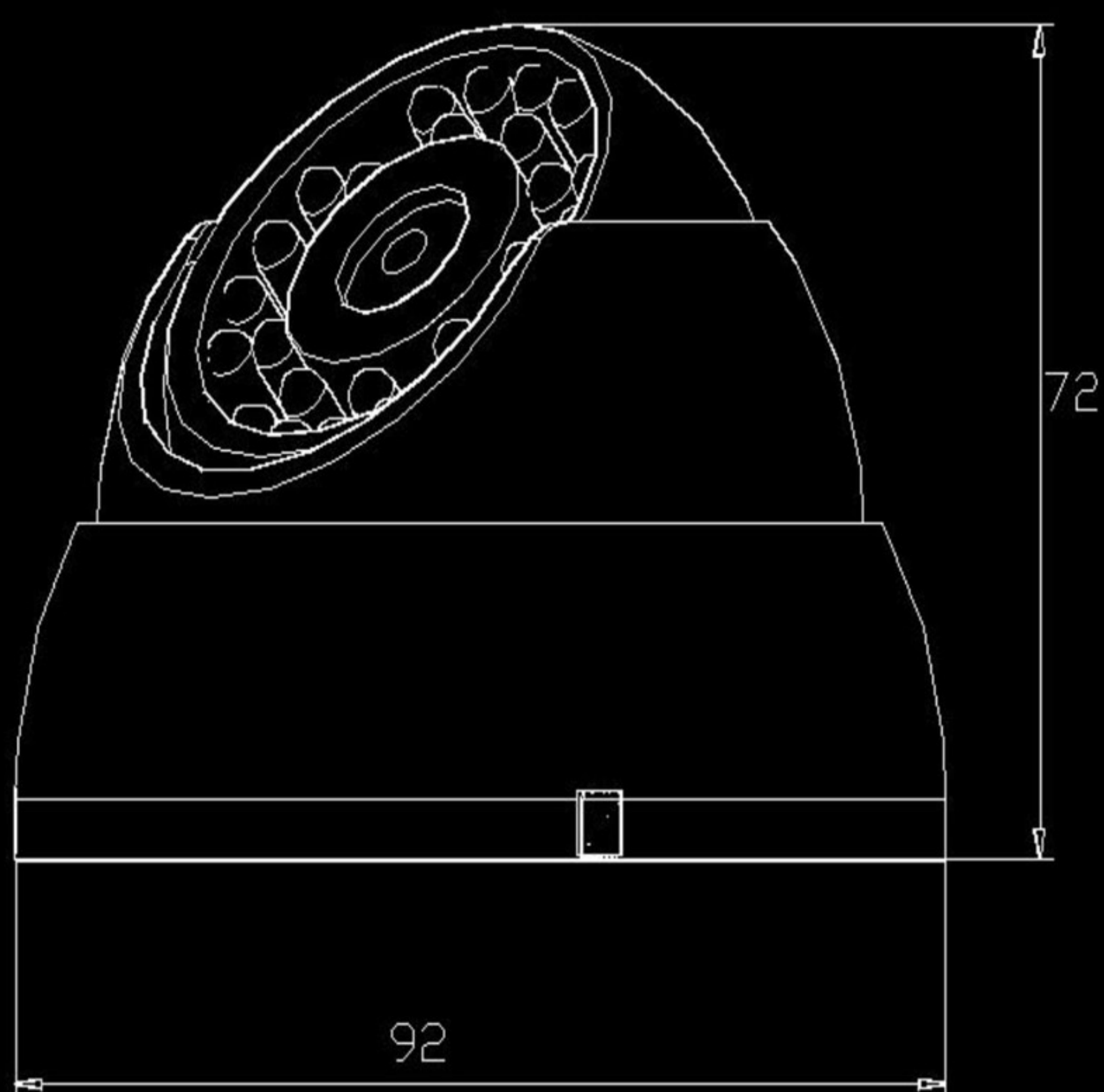


Features:

- Inside bus/truck dome CCTV camera for video recording/monitoring application
- E-mark (E9) , CE, FCC certification
- CCTV Surveillant Dome Camera
- Sharp CCD/Sony CCD/Pixelplus CMOS/Aptina AHD Cmos optional
- Aluminium alloy housing/ Plastic housing
- Mirror / Normal image (optional)



Dimensional Drawing:



Specification:

LC-024A Bus trucks Dome CCTV Camera

Subject	Standard Parameter	Optional Parameter
Image sensor	1/4" Sharp CCD	1/3"APTINA CMOS
Resolution	N:510×492pixels P:500×582 pixels	1280*960(1.2M Pixels)
Horizontal Resolution	420TV Lines	960P
Lens	2.5mm	
View angle	120°(D)/ 90°(H)/ 75°(V)	
Min illumination	0 LUX(LED ON)	
IR LED	24pcs (Night vision 8-10m)	
TV System	NTSC / PAL	
Power supply	12V DC	
Current consumption	150mA	130mA
Power consumption	1.8W(@12V DC)	1.5W(@12V DC)
Waterproof rating	IP68	
Weight	150g	
Dimension(W*H*D)	92*72*92mm(Camera)	
Operation temperature	-20°C~+70°C	

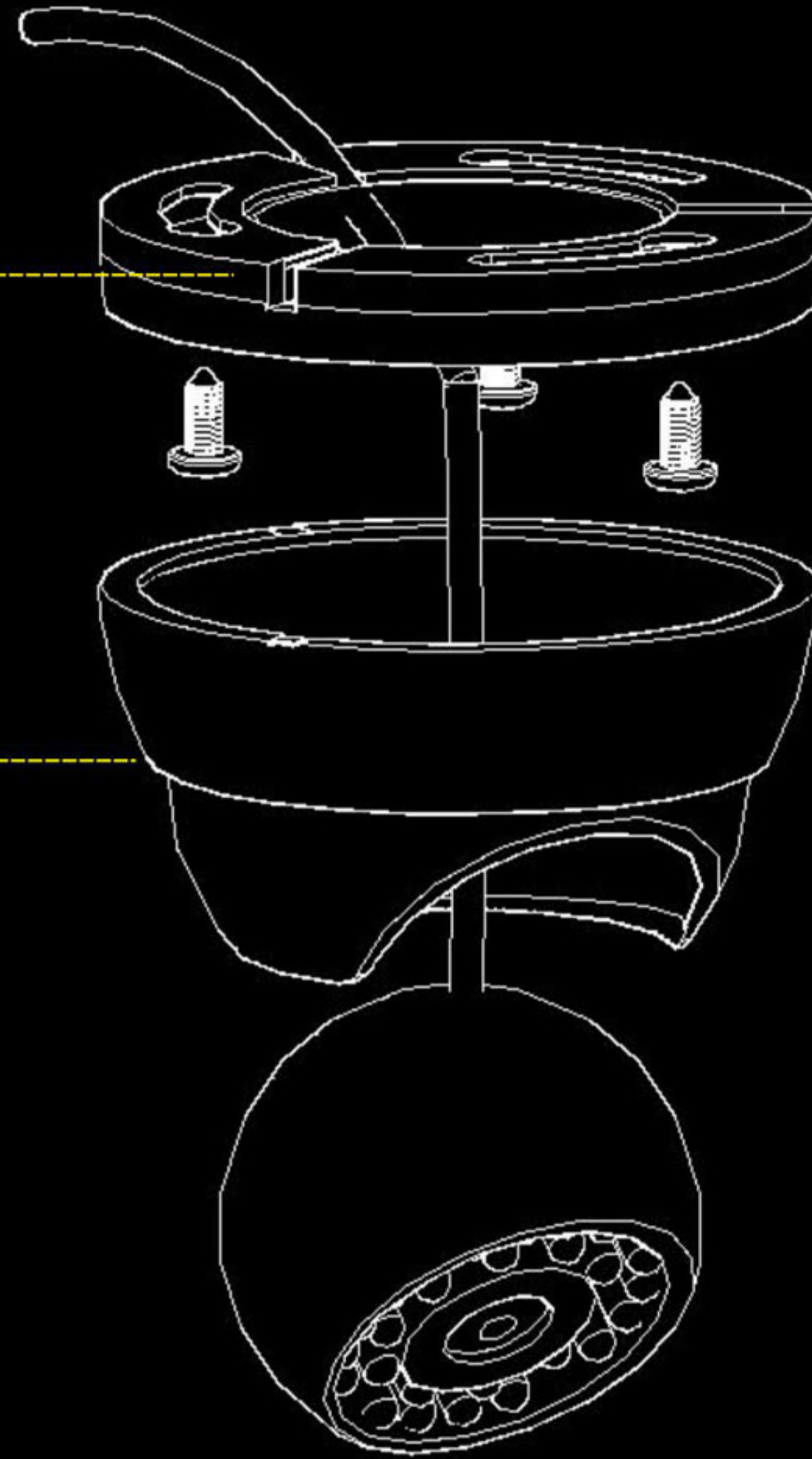




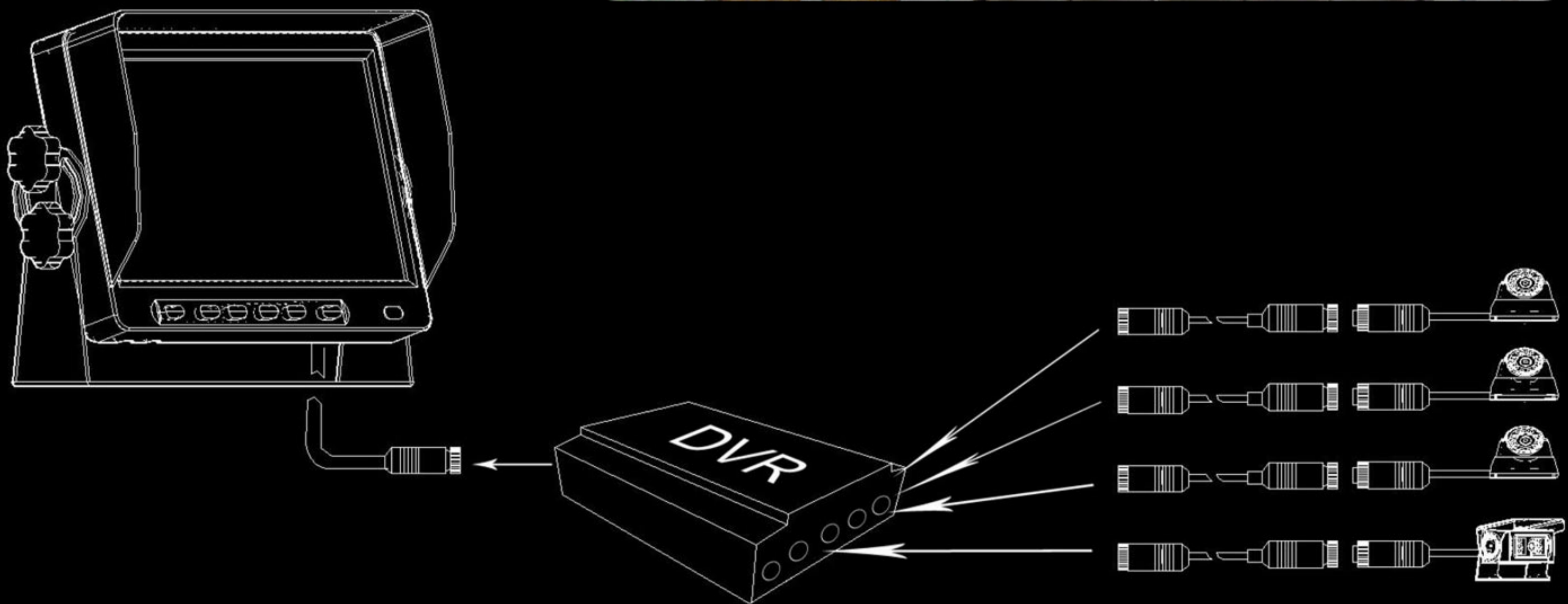
Basic Operation:

Step 1: Drill a hole for cable through, fix the base by 3 screws

Step 2: Mounted the ball camera's housing, adjust the lens view direction then tighten the housing.



Position Camera:

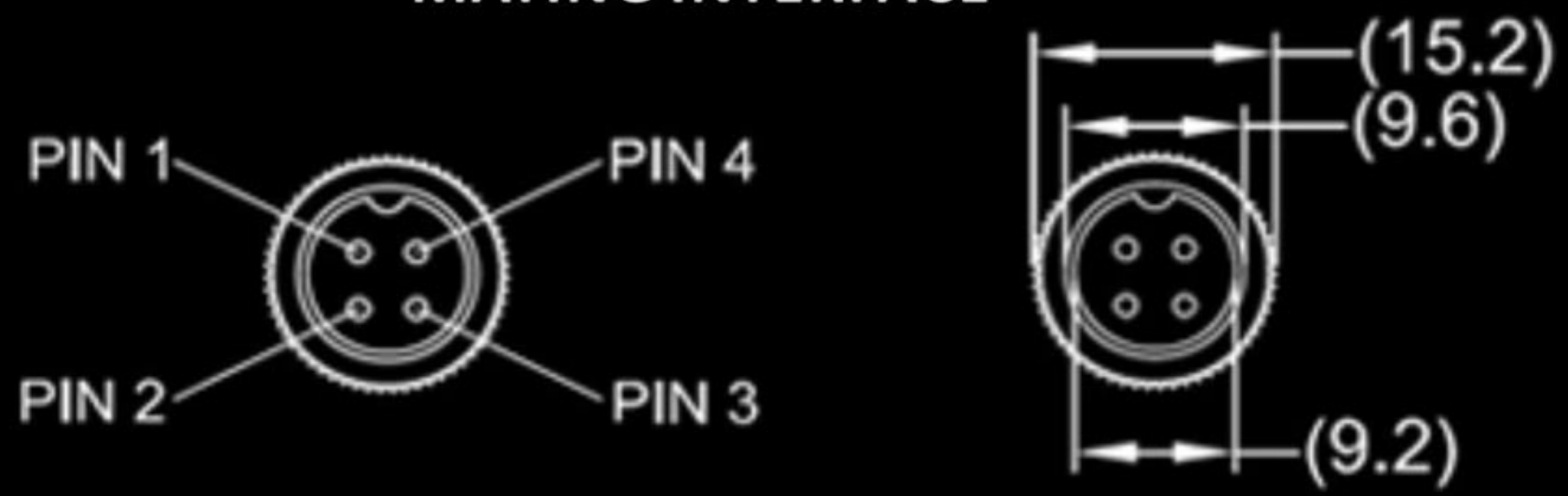


Connector Definition:



M12 4 pins Aviation Female Connector

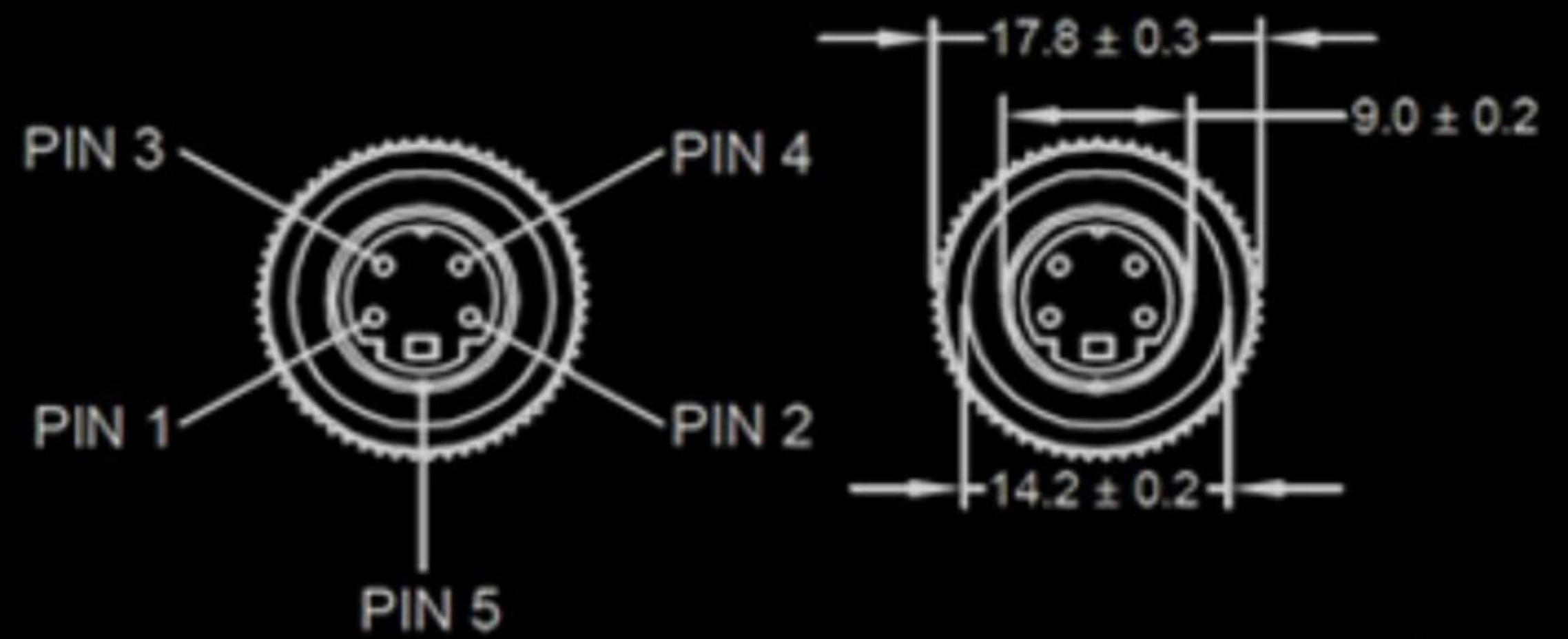
4PIN FEMALE MATING INTERFACE



PIN#	WIRE COLOR	DESCRIPTION
1	RED	+12V
2	BLACK/SHIELD	GND
3	WHITE	AUDIO
4	YELLOW	VIDEO



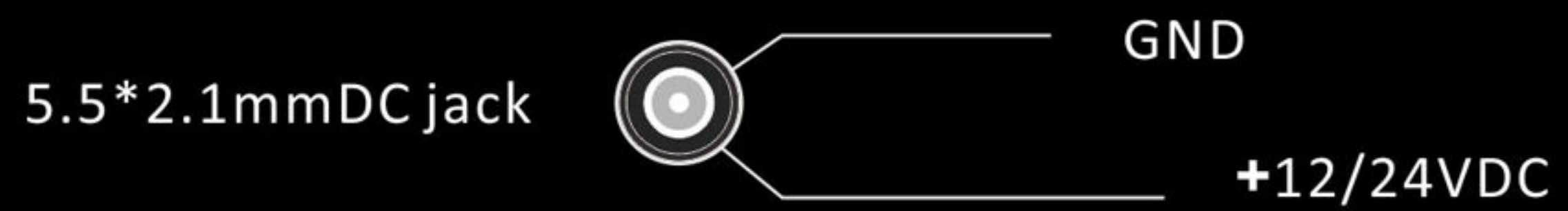
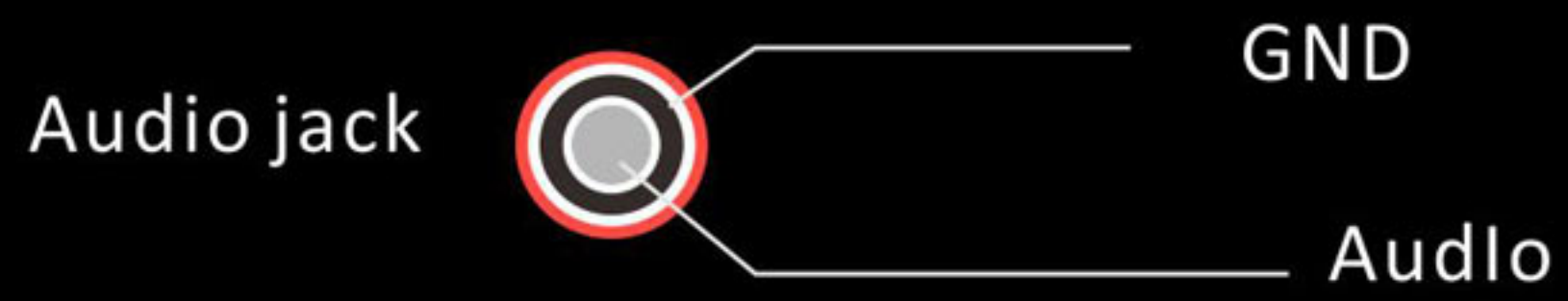
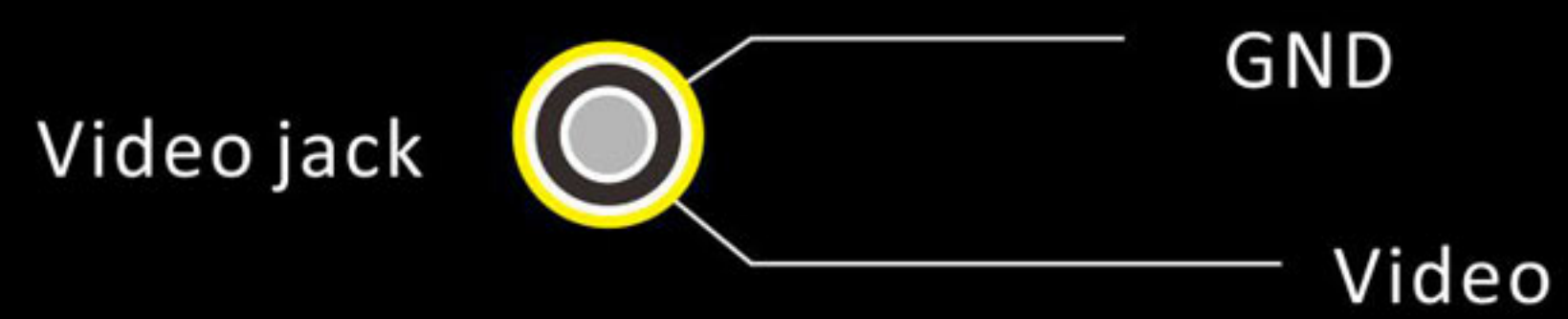
S-Video 4-pin Aviation Male Connector



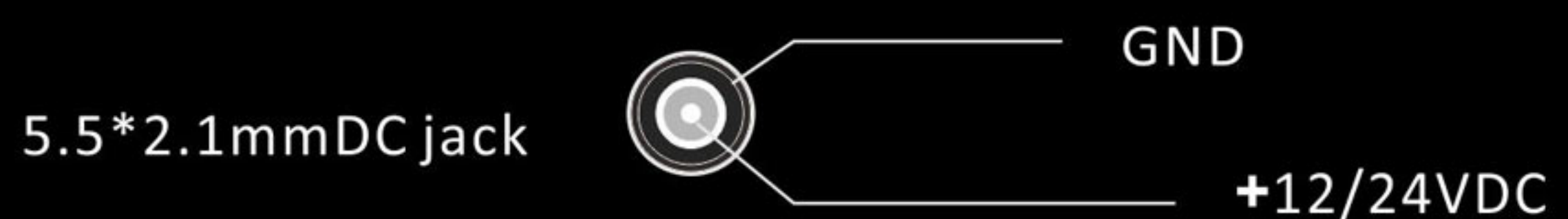
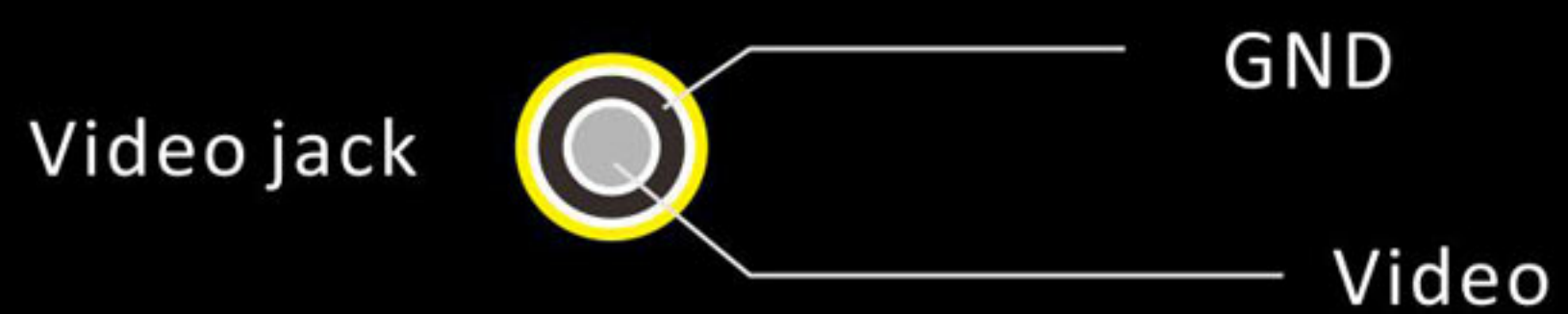
PIN#	WIRE COLOR	DESCRIPTION
1	YELLOW	VIDEO
2	RED	+12V
3	BLUE	N.C
4	WHITE	AUDIO
5	BLACK/SHIELD	GND



RCA + DC



BNC + DC

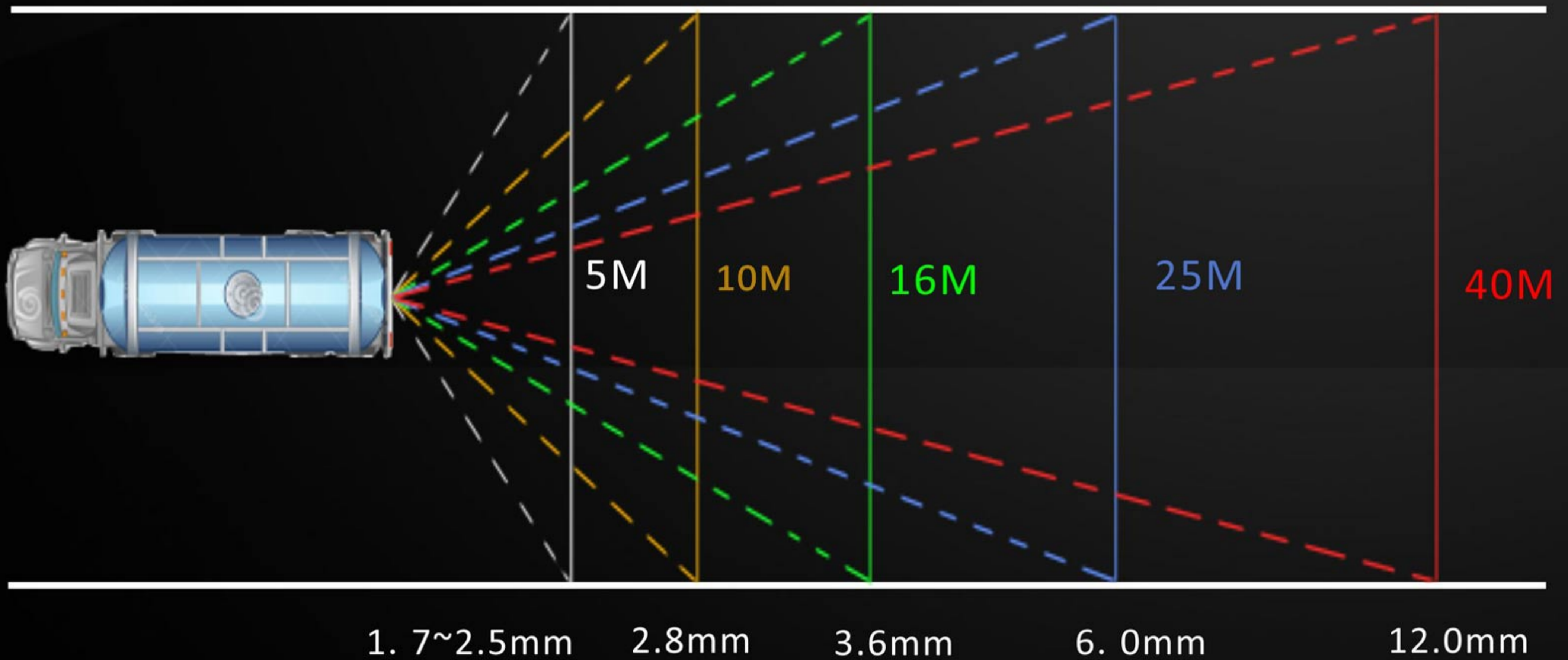


View Angle & Lens:

1/4" CCD Sensor (default lens = 2.5mm)								
Lens (mm)	1.7	2.5	2.8	3.6	4.3	6.0	8.0	12.0
Diagonal	133°	110°	80°	73°	63°	48°	33°	23°
Horizontal	107°	87°	65°	59°	53°	40°	28°	20°
Vertical	73°	63°	50°	45°	40°	31°	23°	15°

1/3" CCD Sensor (default lens = 2.8mm)								
Lens (mm)	2.75	2.8	New2.8	3.6	4.3	6.0	8.0	12.0
Diagonal	140°	105°	115°	93°	82°	61°	45°	30°
Horizontal	109°	85°	88°	75°	65°	50°	37°	25°
Vertical	80°	64°	68°	59°	51°	39°	29°	19°

View angle	105°	80°	75°	50°	25°
View distance	5M	10M	16M	25M	40M



1.7~2.5mm 2.8mm 3.6mm 6.0mm 12.0mm



Order code:

Sensor type	Order code
1/3" APTINA CMOS AHD 720P 1280*960(1.2M Pixels)	1
1/4"Sharp CCD 420TVL N:510 x 492pixels P:500 x 582 pixels	2
1/4" SONY CCD 420TVL N:510 x 492pixels P:500 x 582 pixels	3
1/3" SONY CCD 480TVL N:752 x 494pixels P:752 x 582 pixels	4
1/3" SONY CCD 580TVL N:752 x 494pixels P:752 x 582 pixels	5
1/3" SONY CCD 650TVL N:976 x 494pixels P:976 x 596 pixels	6
1/3" SONY CCD 700TVL N:976 x 494pixels P:1020 x 508 pixels	7
Optional Function	
Audio(Microphone built-in)	0(NO)
Plastic housing/aluminium housing	0 / 1
Normal image/Mirror image	0 / 1
Connector:4PIN/RCA/S-video/BNC	1 / 2 / 3 / 4
Voltage	12
Color	B(Black) / W(White)
TV system	P(PAL) / N(NTSC)

Original Code Definition:



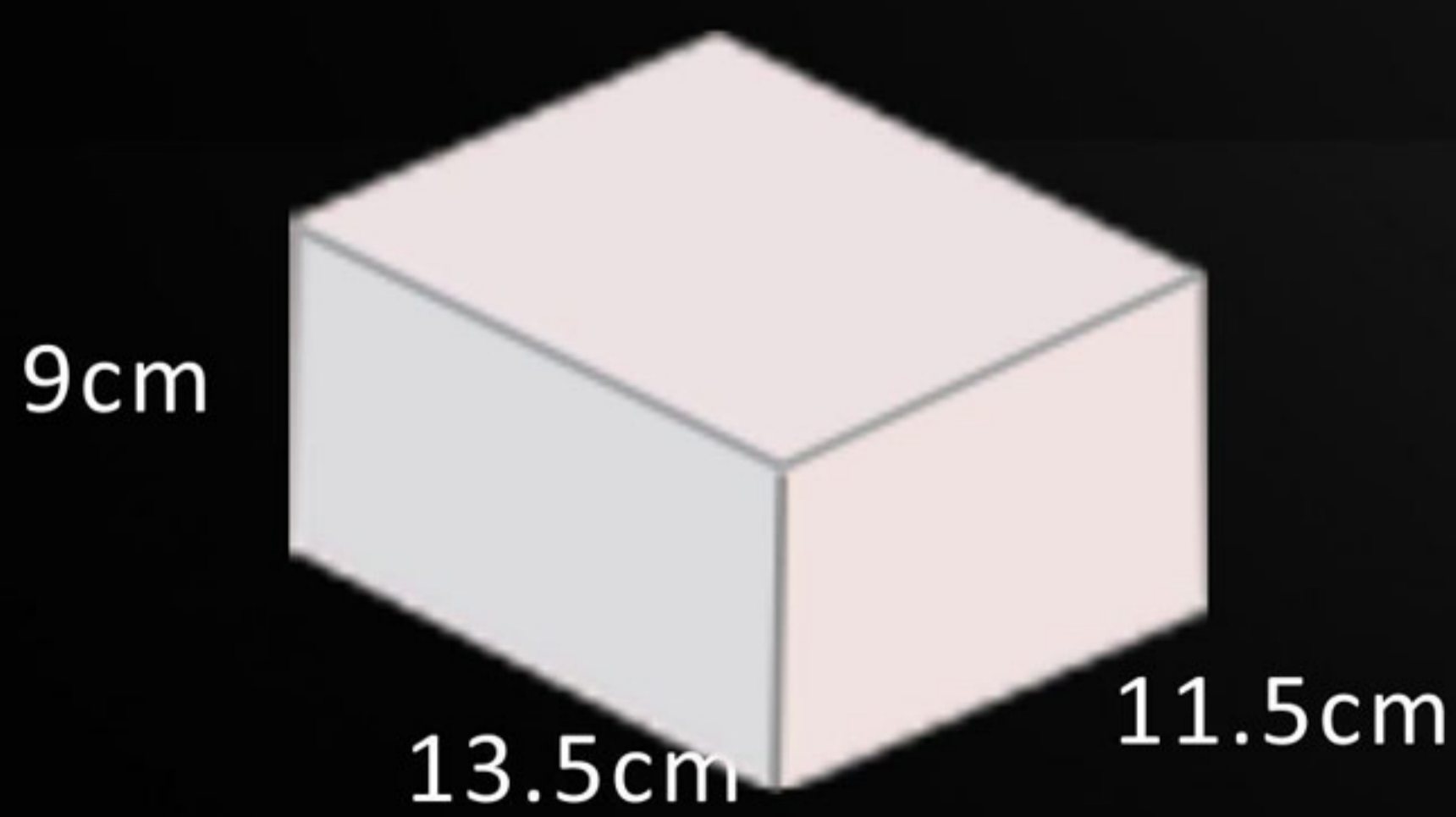


Packing:

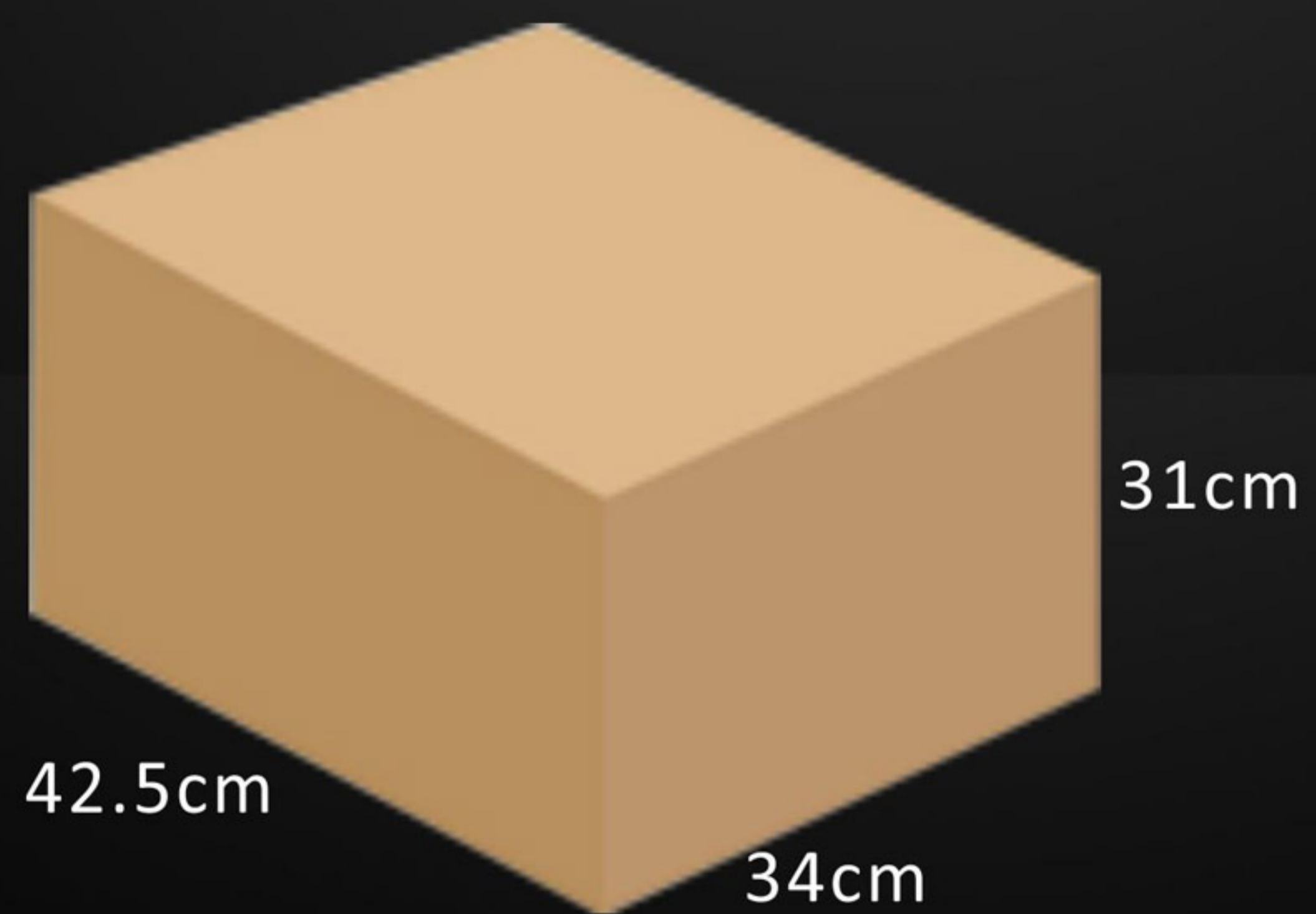
1.-Rear view camera x 1pc



Packing box & carton dimension:



0.2kg/pc



40pcs per carton/Weight:8kg

ADD:3/F, Blcok A8, Kaida Industry Park, Qiaochang Road,Qiaotou , Dongguan , Guangdong,China.



lntech



TEL: +86-769-8118 3549
Website:www.lintechco.com

FAX: +86-769-8255 1233
Email:info@lintechco.com