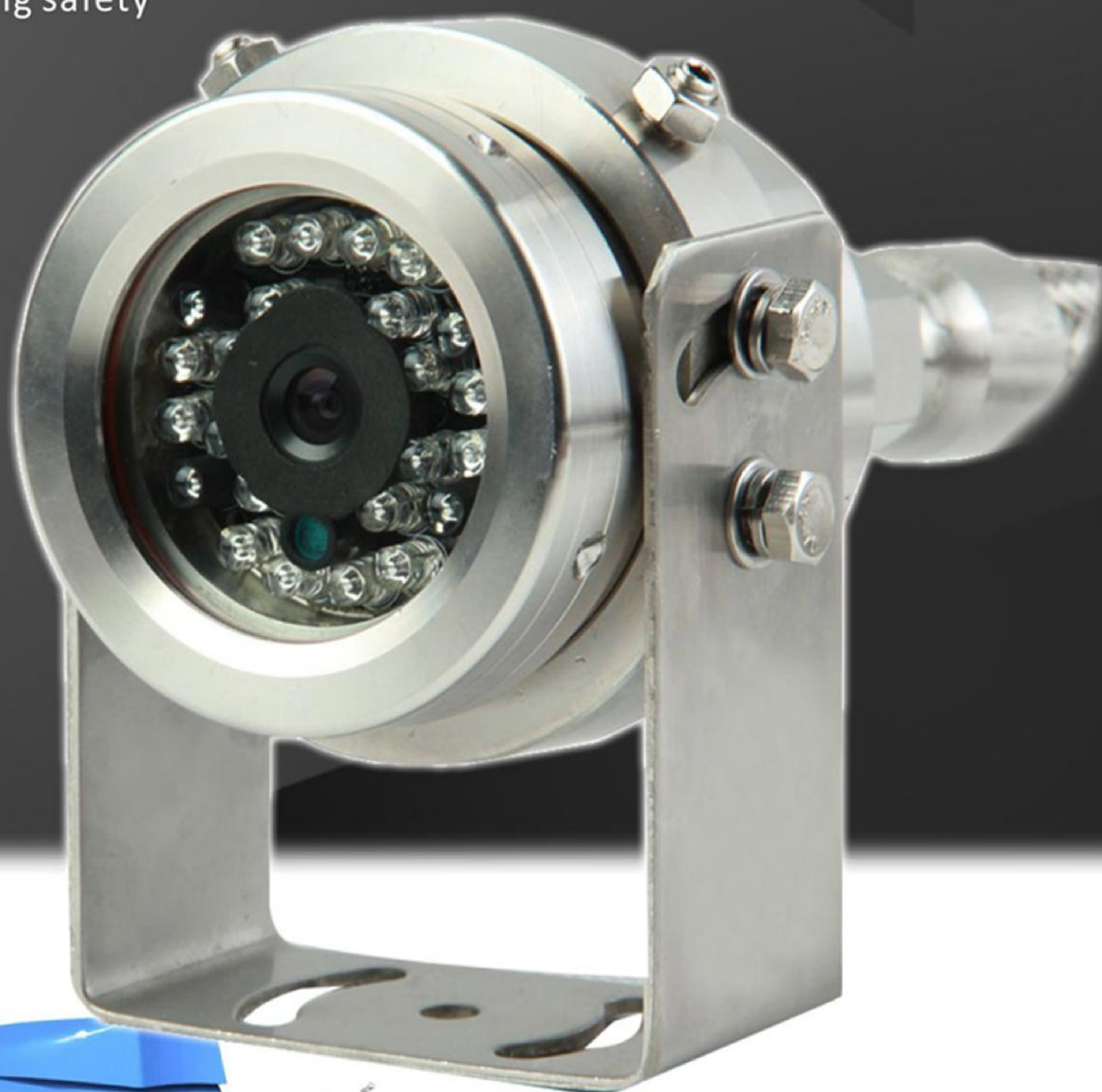


304 Stainless Steel Waterproof Explosion-proof Rear View Camera

Part No:LC-10A

90° (H=62°) For reversing safety



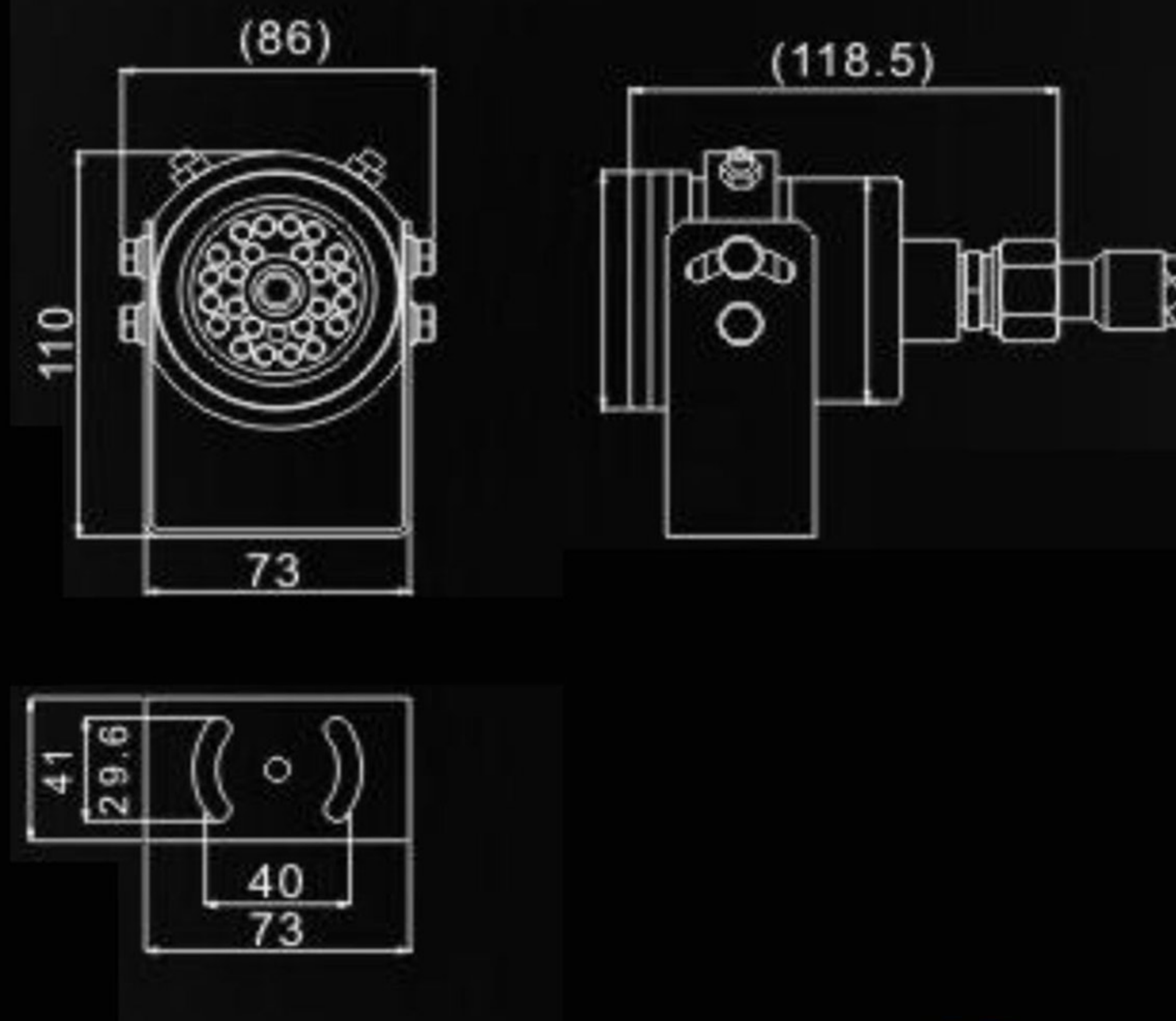


Features:

- E-mark (E9) , CE, FCC certification
- Waterproof rating: IP69K
- Wide view angle = 90°(Horizontal =62°)
- Sharp CCD/Sony CCD/Pixelplus CMOS/ Cmos optional
- Full 304 Stainless Steel housing
- Mirror / Normal image switch (optional)
- Heater built-in for -40°C~+70°C environment (optional)



Dimensional Drawing:



Specification:

LC-10A Waterproof Explosion-proof Rear View Camera

Subject	Standard Parameter	Optional Parameter
Image sensor	1/3" SONY CCD	1/3" PIXEL CMOS 960H PC1099K
Resolution	N:976×494 pixels P:1020×508pixels	976*496(1.2M Pixels)
Horizontal Resolution	700TV Lines	960P
Lens	3.6mm	
View angle	90°(D) 62°(H) 75°(V)	
Min illumination	0LUX(LED ON)	
IR LED	24pcs (Night vision 8-10m)	
TV System	NTSC / PAL	
Power supply	12V DC	
Current consumption	150mA	130mA
Power consumption	1.8W(@12V DC)	1.5W(@12V DC)
Waterproof rating	IP69k	
Weight	1500g	
Dimension(W*H*D)	86*118*110mm(Camera)	
Operation temperature	-20°C~+70°C	

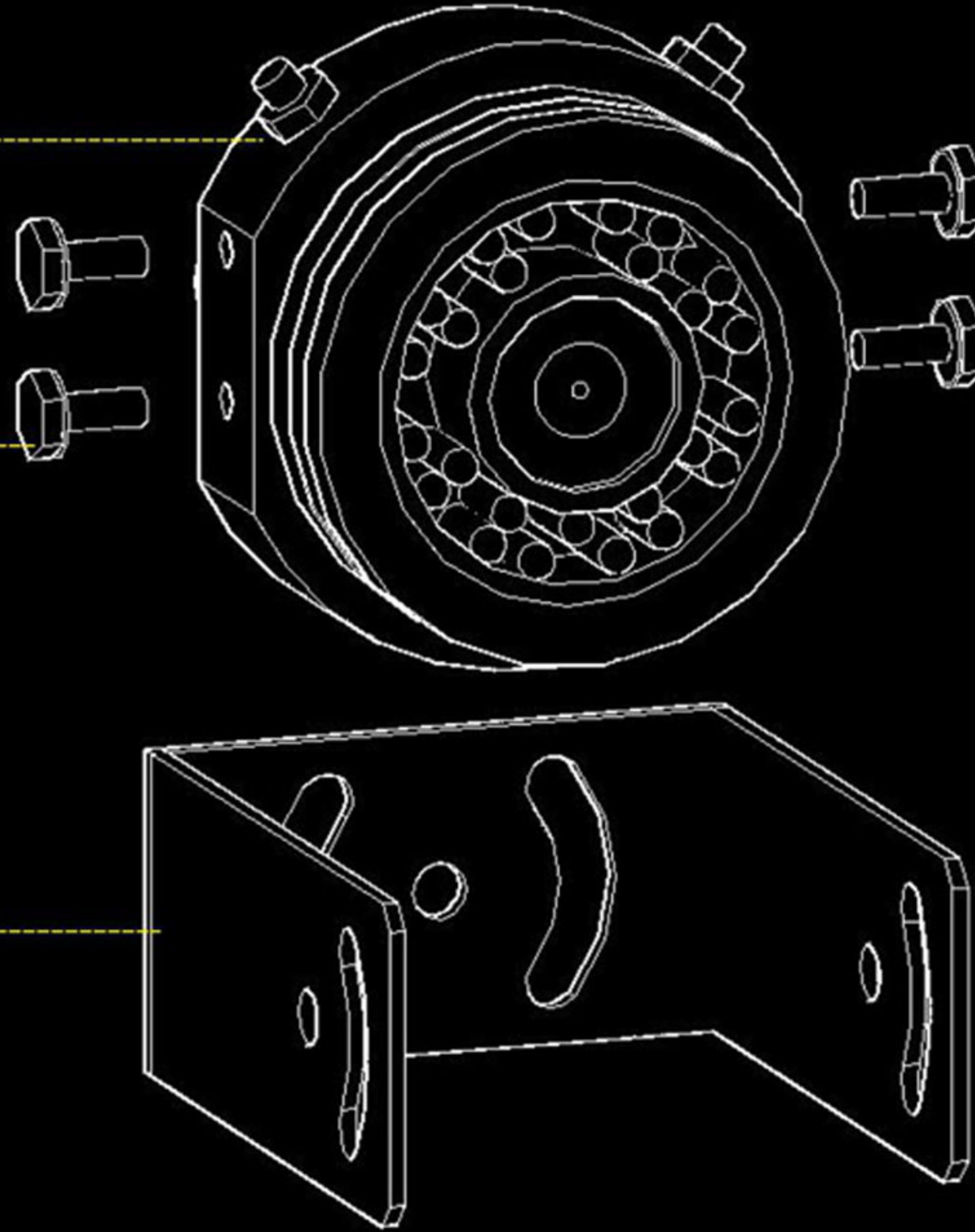


Basic Operation:

Step 2: Adjust the camera's view direction, screw up 4 screws.

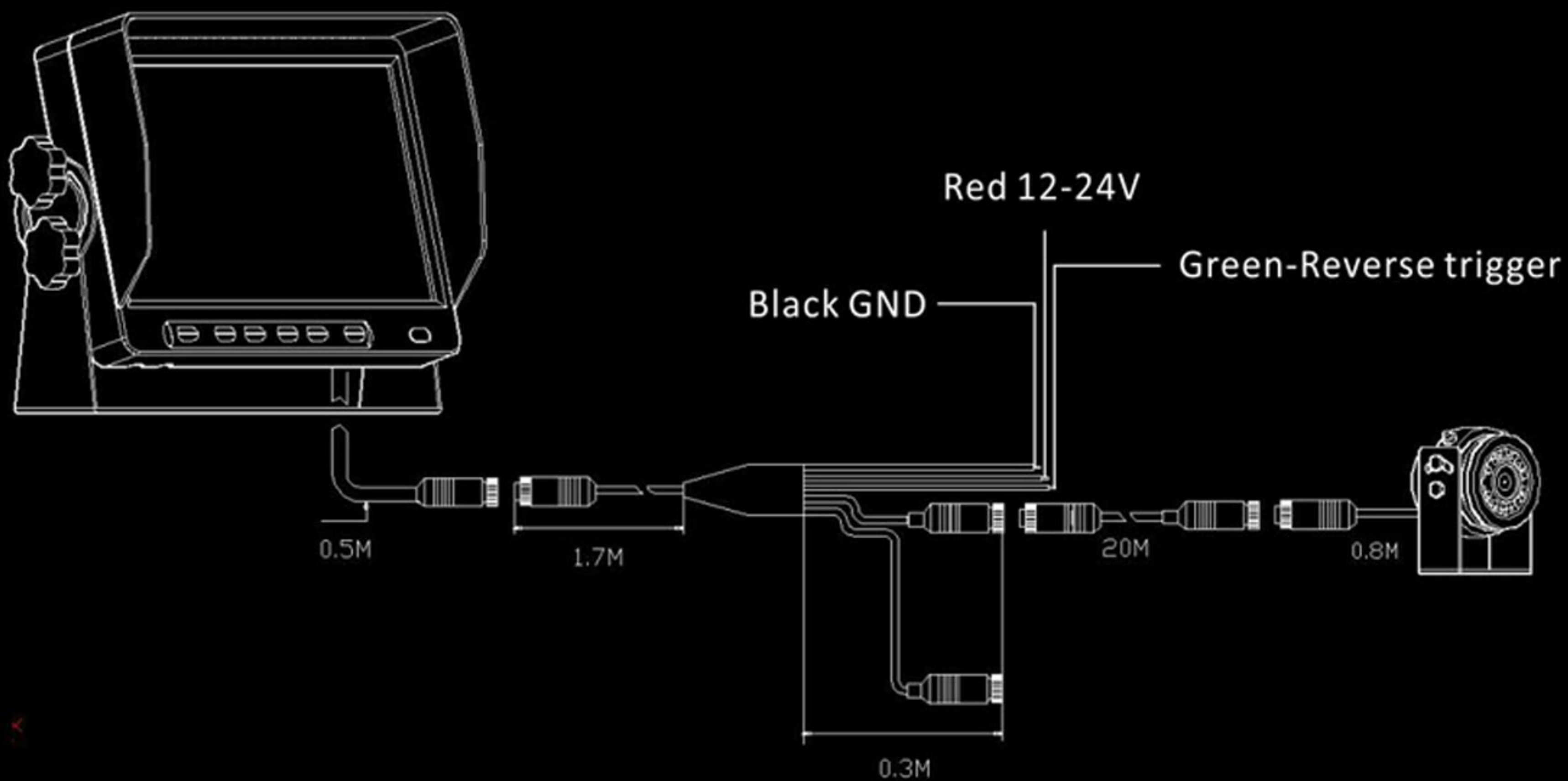
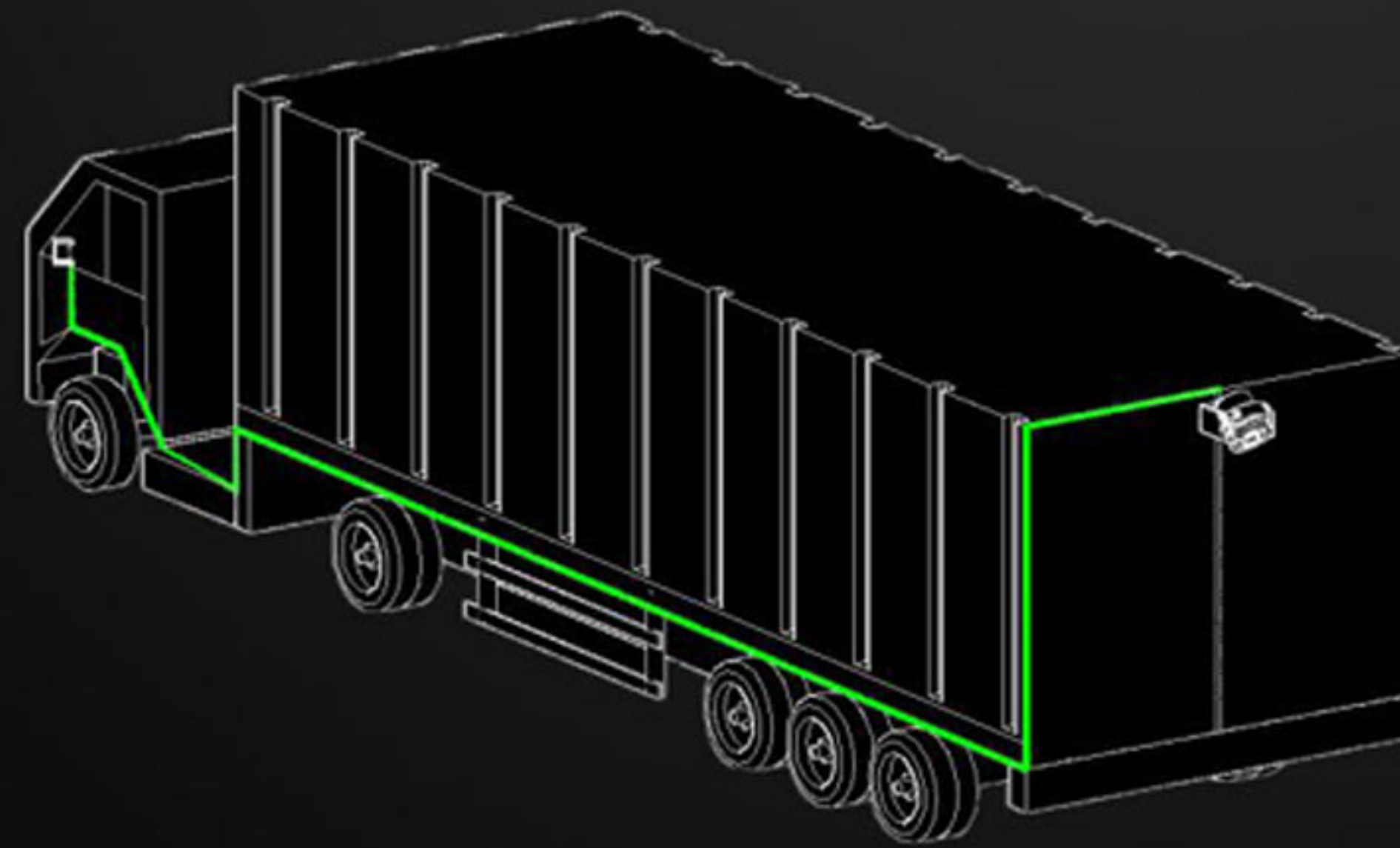
Step 3: Camera embed + cable pass through the hole.

Step 1: Mounted the bracket on the correct position of vehicle.



Position Camera:

Mount camera assembly high mounted. (Centred.)

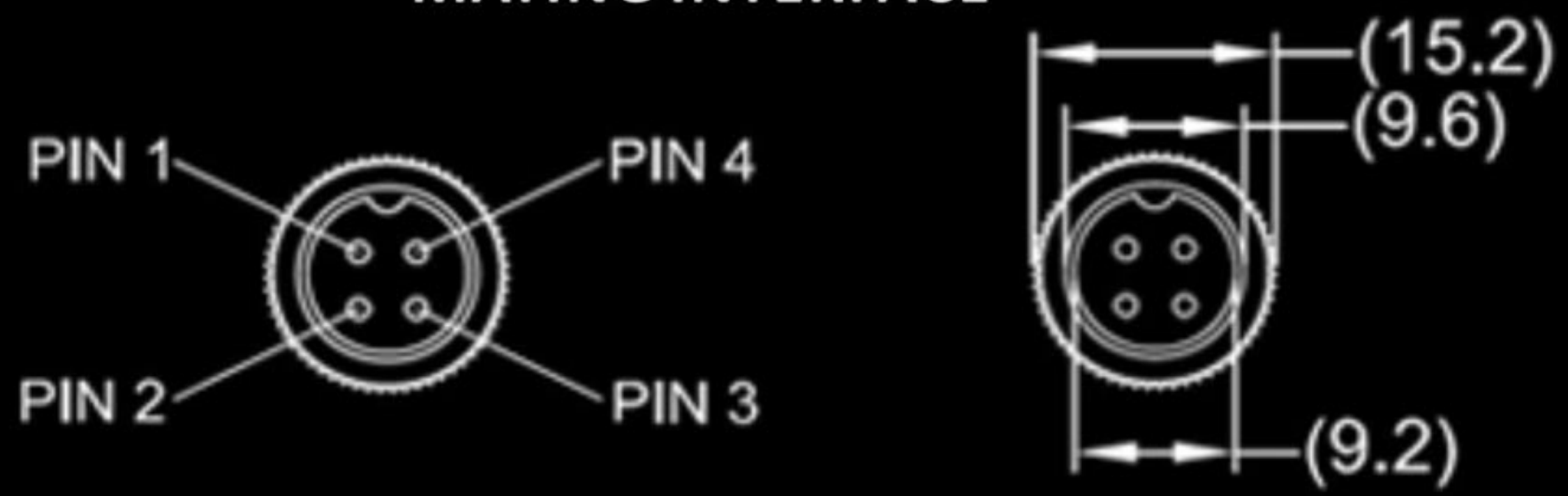


Connector Definition:



M12 4 pins Aviation Female Connector

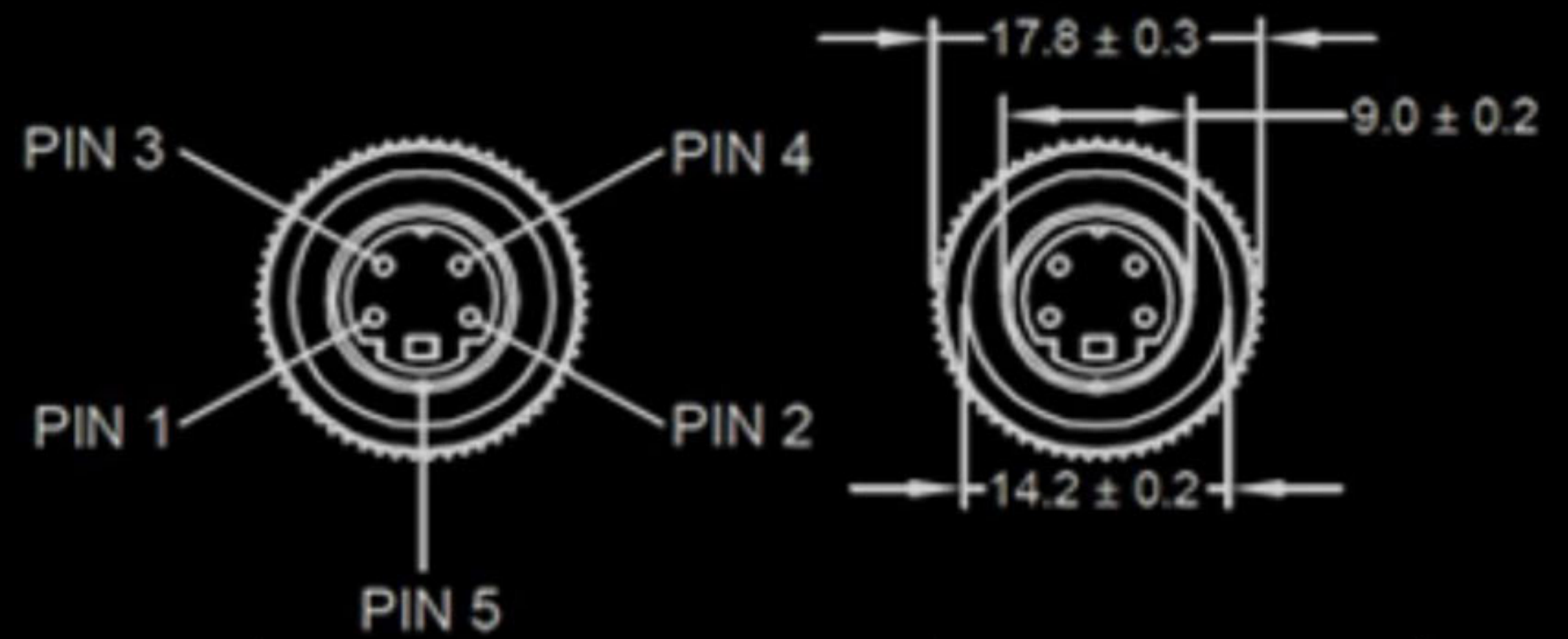
4PIN FEMALE MATING INTERFACE



PIN#	WIRE COLOR	DESCRIPTION
1	RED	+12V
2	BLACK/SHIELD	GND
3	WHITE	AUDIO
4	YELLOW	VIDEO



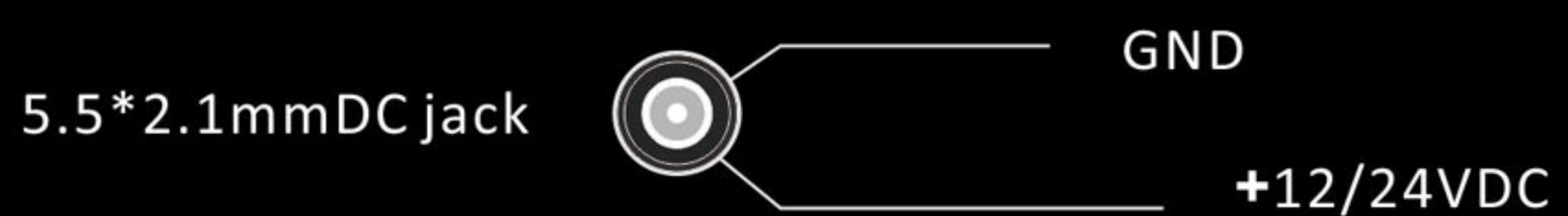
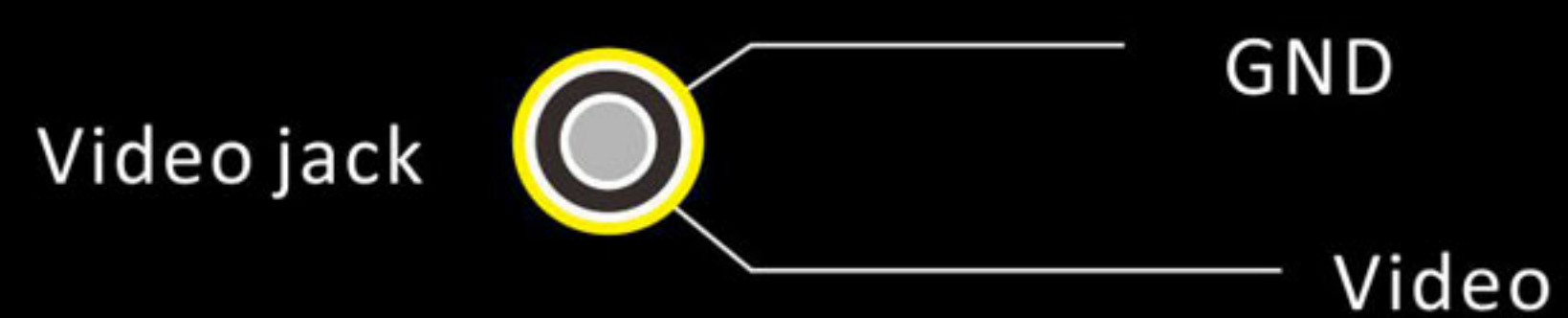
S-Video 4-pin Aviation Male Connector



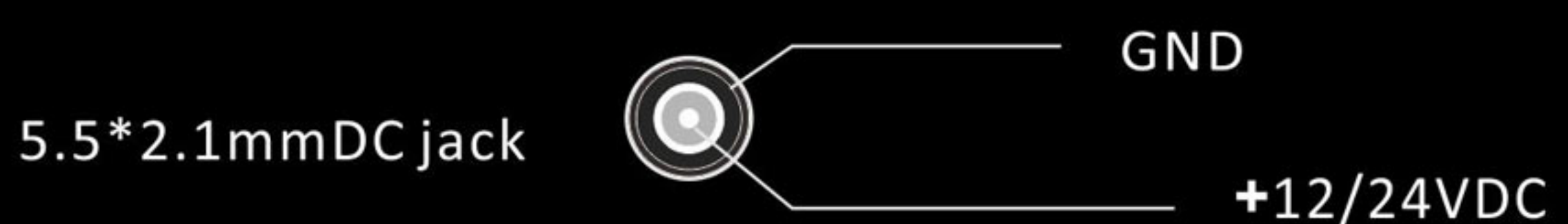
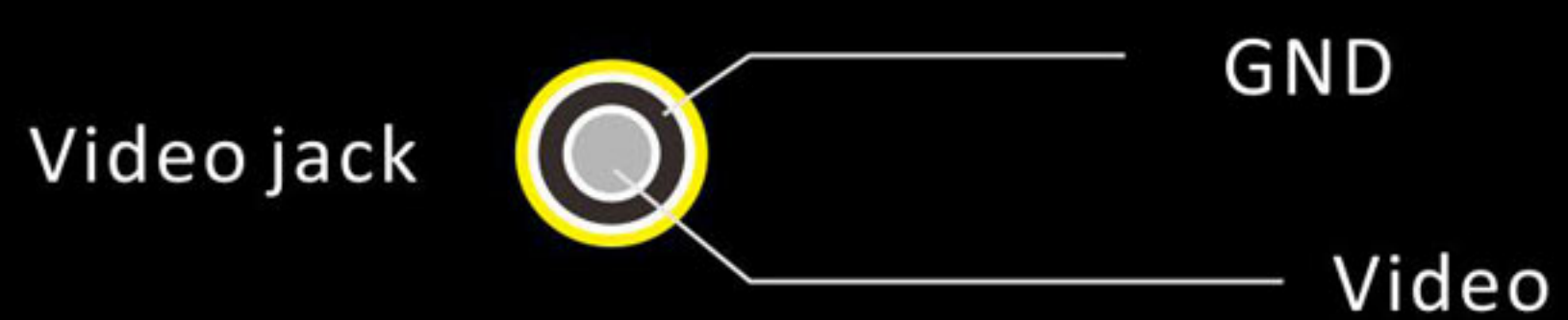
PIN#	WIRE COLOR	DESCRIPTION
1	YELLOW	VIDEO
2	RED	+12V
3	BLUE	N.C
4	WHITE	AUDIO
5	BLACK/SHIELD	GND



RCA + DC



BNC + DC

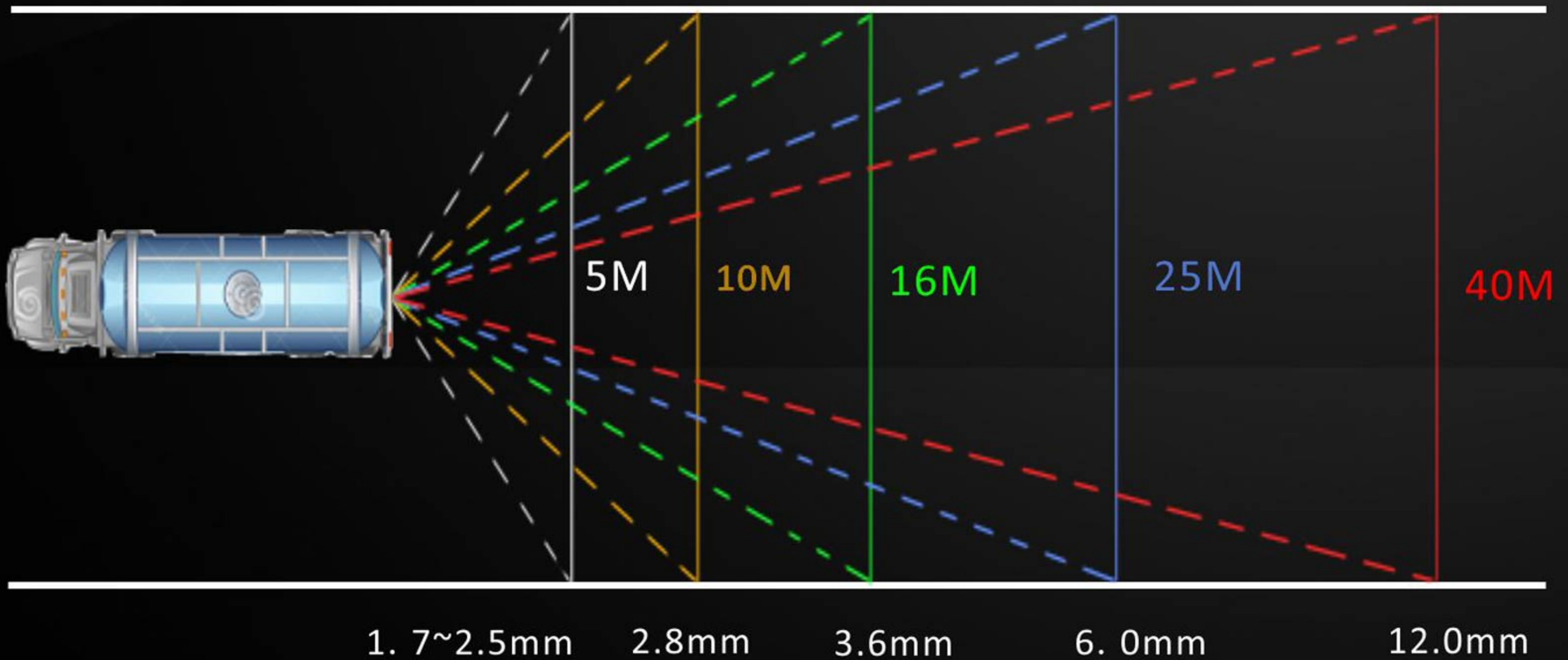


View Angle & Lens:

1/4" CCD Sensor (default lens = 3.6mm)								
Lens (mm)	1.7	2.5	2.8	3.6	4.3	6.0	8.0	12.0
Diagonal	133°	110°	80°	73°	63°	48°	33°	23°
Horizontal	107°	87°	65°	59°	53°	40°	28°	20°
Vertical	73°	63°	50°	45°	40°	31°	23°	15°

1/3" CCD Sensor (default lens = 3.6mm)								
Lens (mm)	2.75	2.8	New2.8	3.6	4.3	6.0	8.0	12.0
Diagonal	140°	105°	115°	93°	82°	61°	45°	30°
Horizontal	109°	85°	88°	75°	65°	50°	37°	25°
Vertical	80°	64°	68°	59°	51°	39°	29°	19°

View angle	105°	80°	75°	50°	25°
View distance	5M	10M	16M	25M	40M

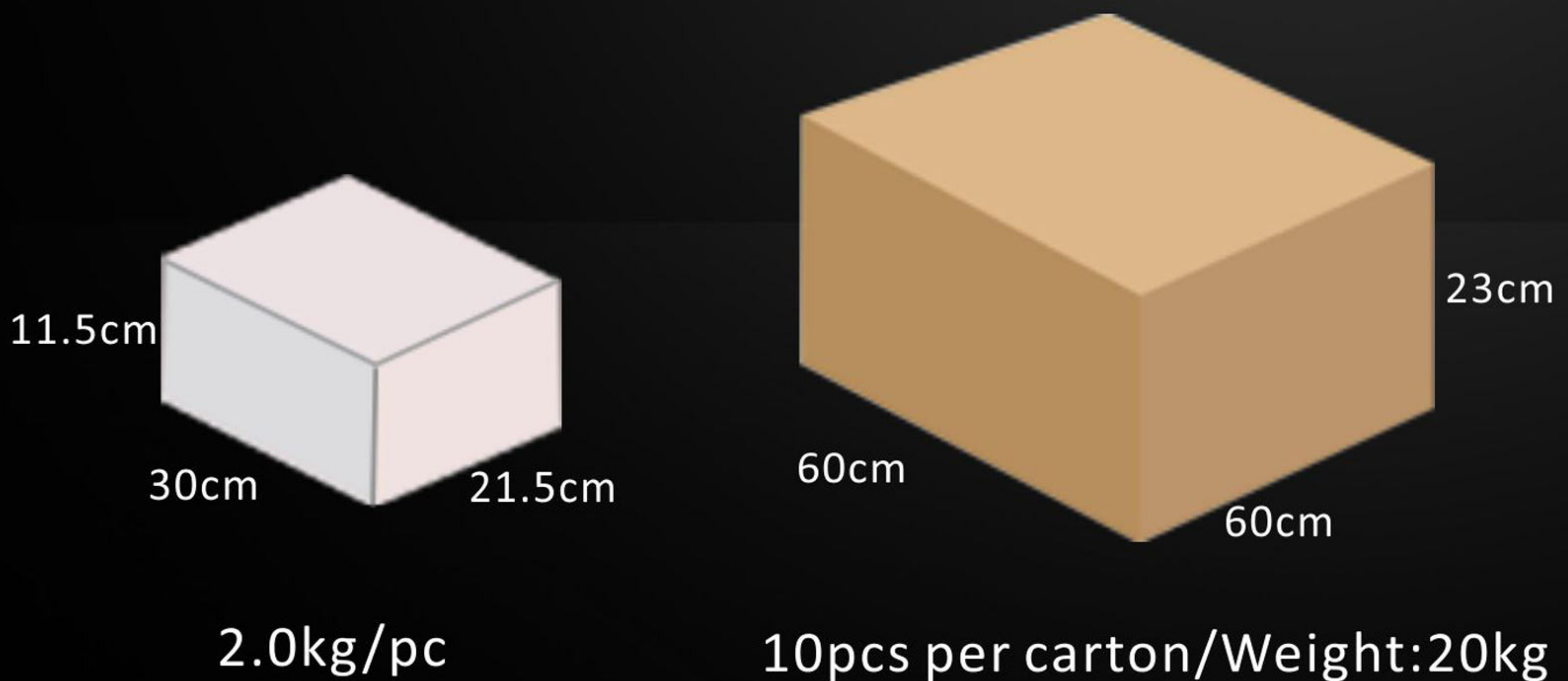


Packing:

- 1.-Rear view camera x 1pc
- 2.-4pcs M6 Stainless steel screw bolts



Packing box & carton dimension:



ADD:3/F, Blcok A8, Kaida Industry Park, Qiaochang Road,Qiaotou , Dongguan , Guangdong,China.



lntech



TEL: +86-769-8118 3549
Website:www.lintechco.com

FAX: +86-769-8255 1233
Email:info@lintechco.com